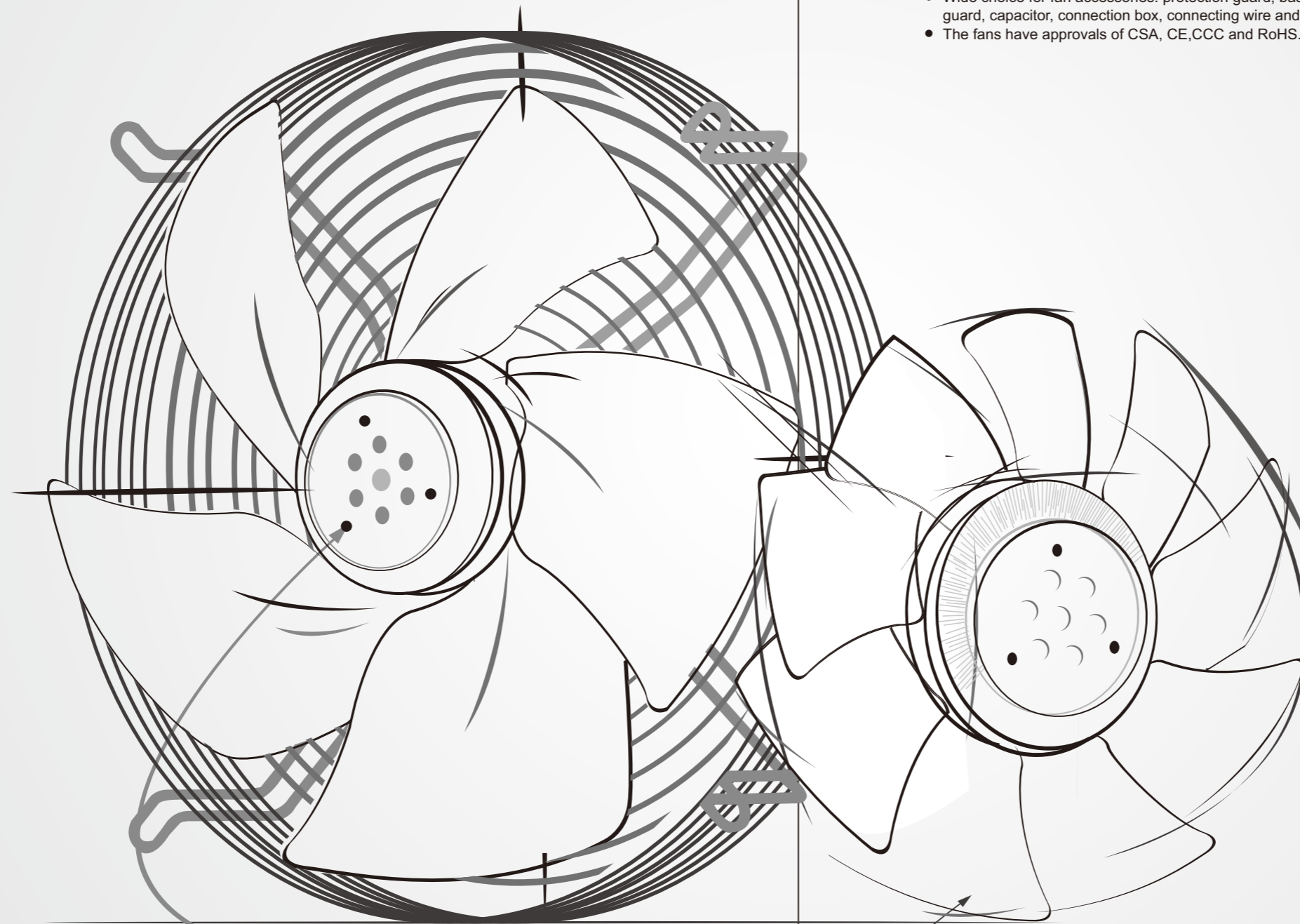


# Sickle Impeller Fan Series

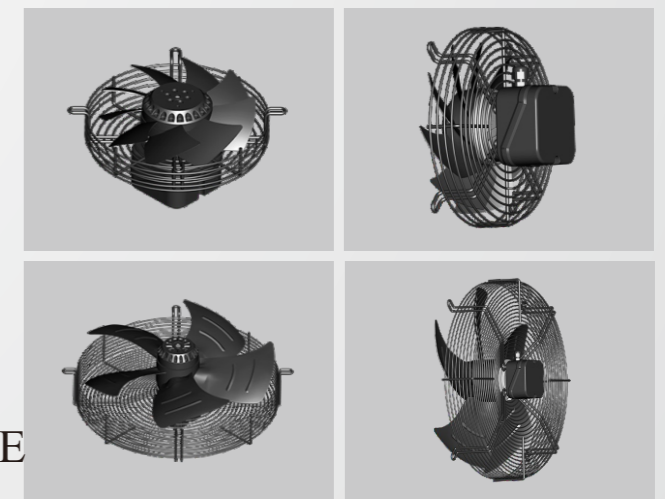


external rotor

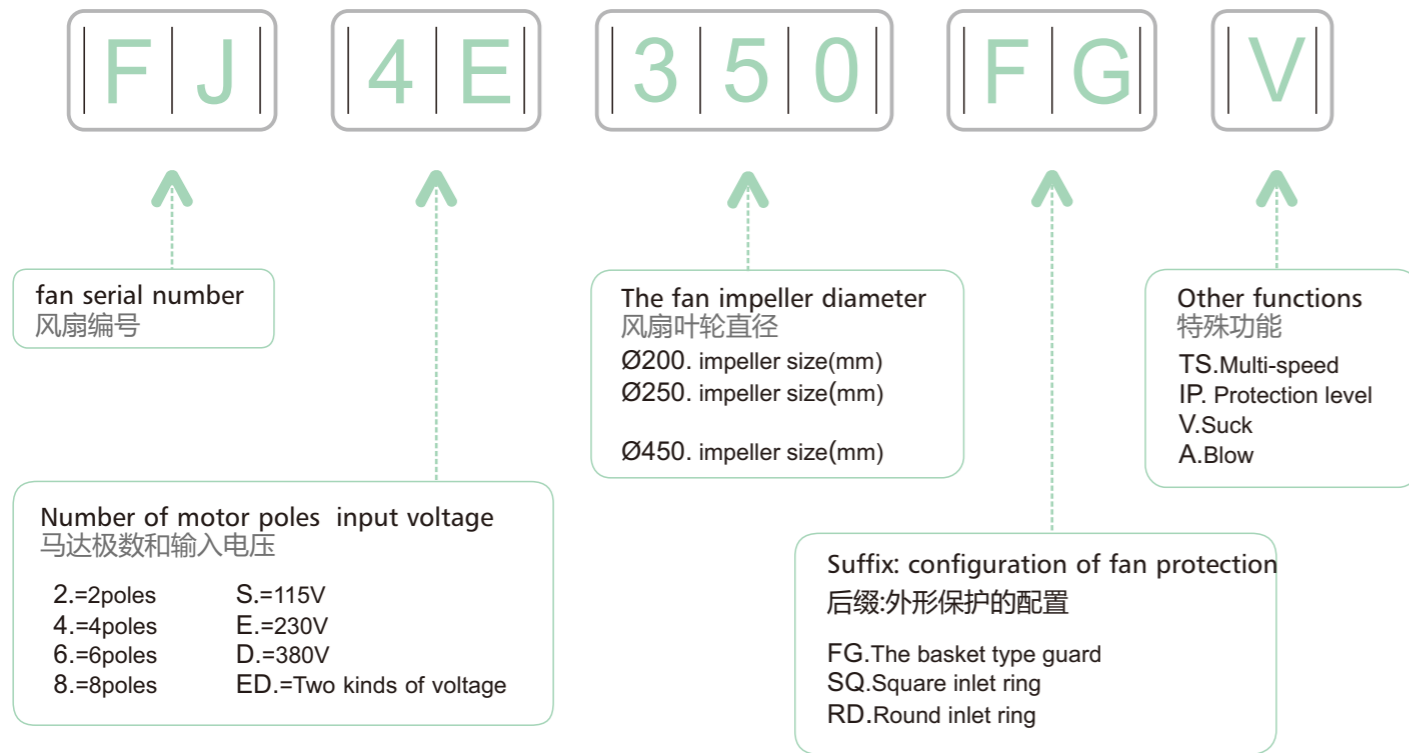
BLACK PANYLON ONE-TIME  
INJECTION MOULDING

- Compact configuration can save maximum space for users.
- External rotor capacitor type motor can be designed with 2 poles, 4 poles, 6 poles or 8 poles, which can meet the needs of different fields.
- Various kinds of models, sizes and air performance for selection.
- Different speeds and air flow are available by circuit design modulation, which generates different voltages.
- With low noise and remarkable efficiency, it is suitable for refrigeration unit.
- The integral combination of motor and impeller realizes double-faced balancing.
- IP55 grade fan is available.
- Wide choice for fan accessories: protection guard, basket-type guard, capacitor, connection box, connecting wire and so on.
- The fans have approvals of CSA, CE,CCC and RoHS.

IP55  
CSA, CE, CCC RoHS



# COMMON MODELS DESCRIPTION



Reference based on the size of impeller, which helps you to quickly select the best choice for your installation  
引用基于叶轮尺寸,这能让你快速选择你安装的最佳选择

Example:

When you need fan motor 4 poles, input voltage 230V, impeller diameter Ø 350 mm,

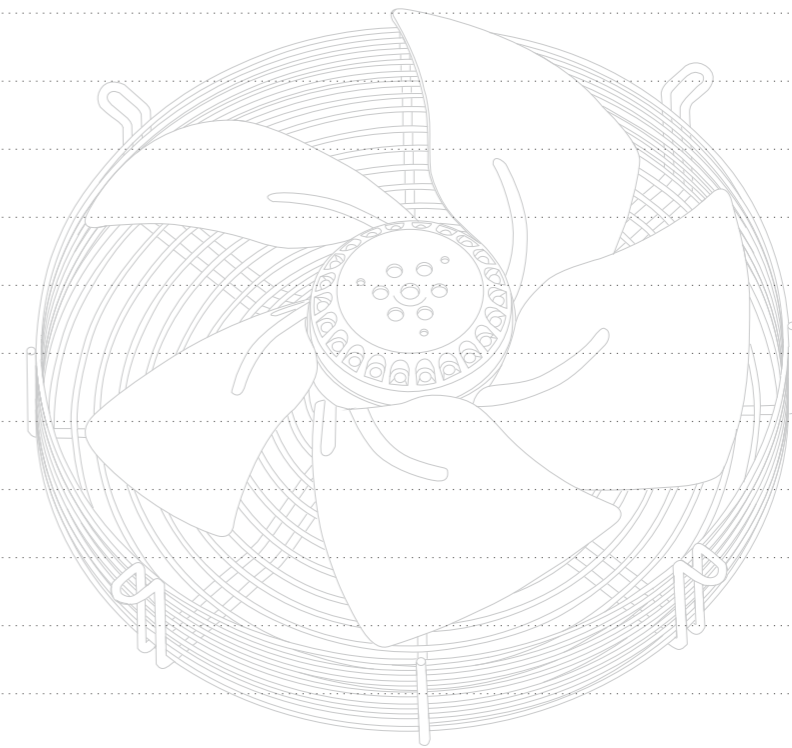
> please choose FJ4E - 350  
当你选择风扇 4 , 230V, 叶轮直径 350mm, 请选择 FJ4E-350



> When you need 4 poles, impeller diameter 350 mm, fan needs basket-type protection guard, airflow direction from motor to guard, Please choose FJ4E - 350. FGV

4 350mm , FJ4E-350. FGV

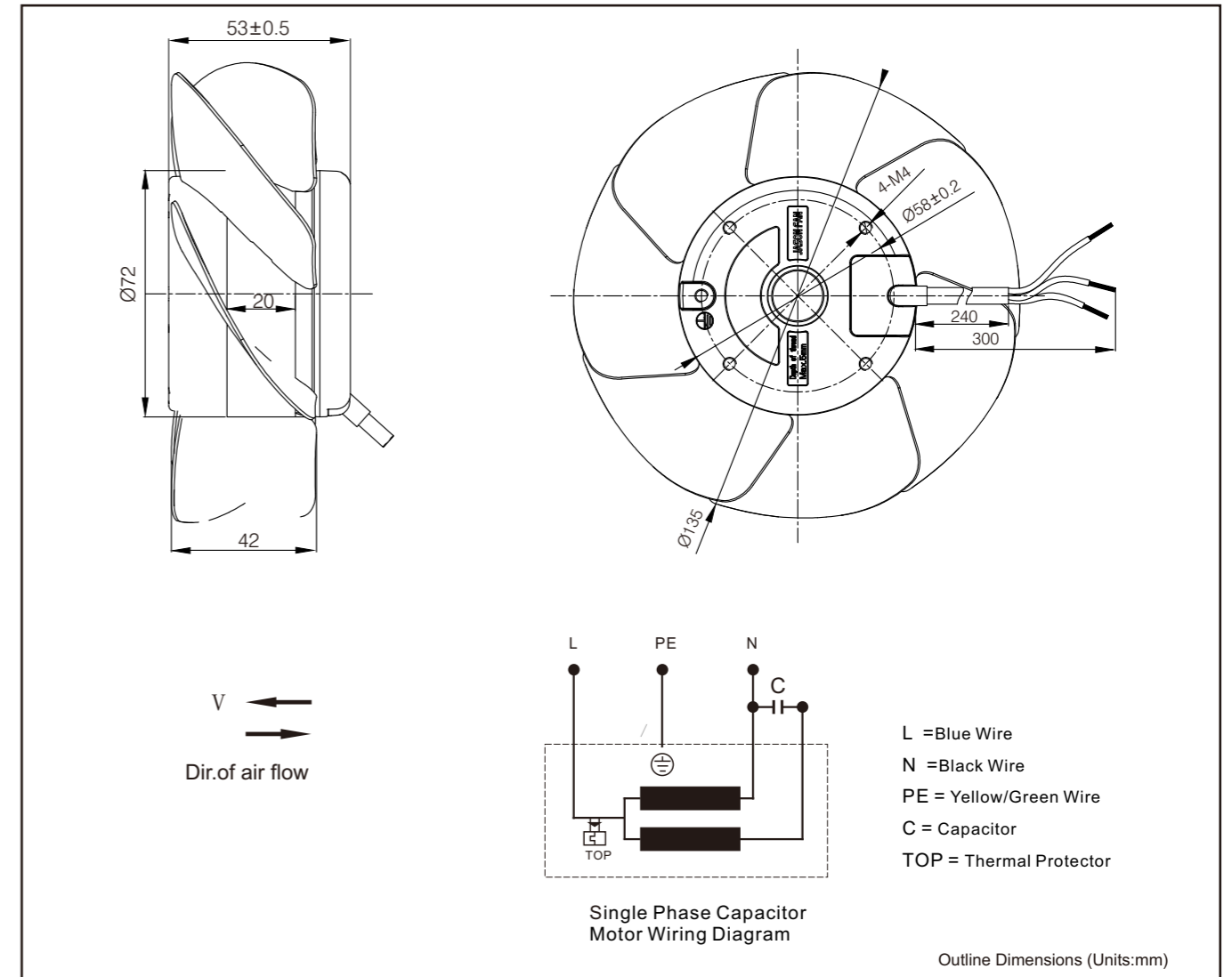
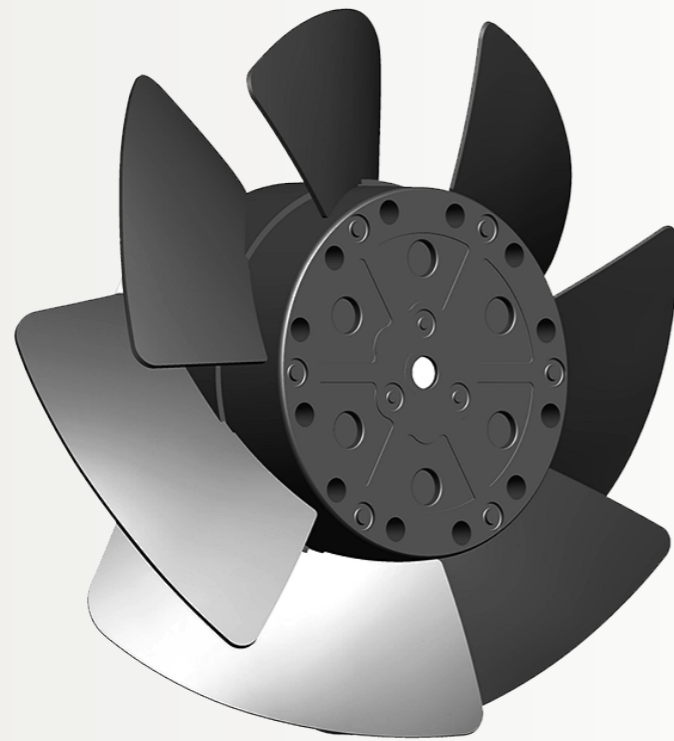
> We can customize your unconventional products.



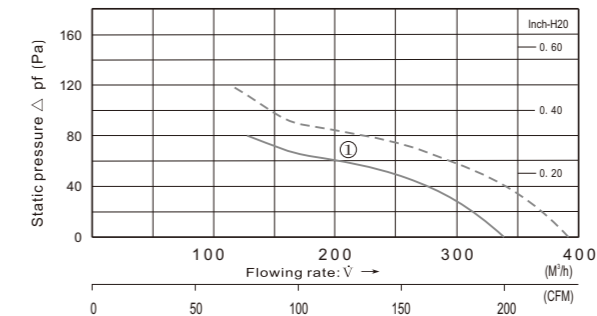
Total solution

# EXTERNAL ROTOR SICKLE IMPELLER

130mm



- Ⓐ Rotation direction of blades : CCW seen from the front impellers
- Ⓑ Power Connection: Lead or terminal box
- Ⓒ Unit weight: 0.83kg



## Parameters

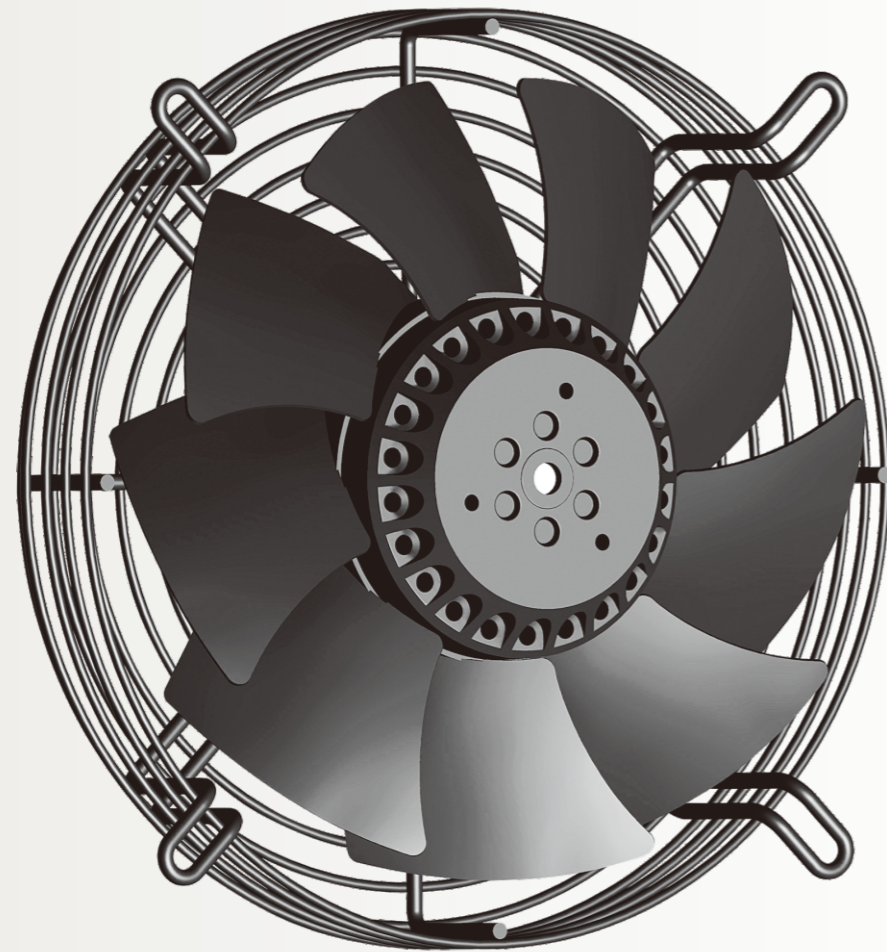
Type	Motor	Rated Voltage V	Frequency Hz	current (A)	Power (W) <small>+10% -20%</small>	Speed (min-1)	Max Air Flow		Static Pressure (Pa)	Noise (dB)	Curve	Capacitor (μF)
							CFM	m3/h				
FJ2E-130.V	M2E07201-AF	230	50	0.29	43	2650	189	320	80	45	①	-----
			60	0.24	39	3000	224	380	120	50		

- ① Motor  
Outer Rotor Motor of Cover Stage
- ② Impeller  
Pressed from metal armor plate, impellers are welded to motor rotor and its surface is black and anti-corrosion
- ③ Fixed Guard  
Steel wire is finished with black paint and anti-corrosion treatment
- ④ Allowable environment temperature and humidity range:(under unconcretionary condition)  
-40°C ~ +80°C (temperature) 0% ~ 95% (humidity)
- ⑤ Protection  
Automatic recovery thermal protection
- ⑥ Withstand Voltage  
AC 1,800V , 1 min at 0.5mA, 50/60 Hz
- ⑦ Insulation Grade  
Design according to IEC61858 Grade F,
- ⑧ Protection Grade IP54



# EXTERNAL ROTOR SICKLE IMPELLER

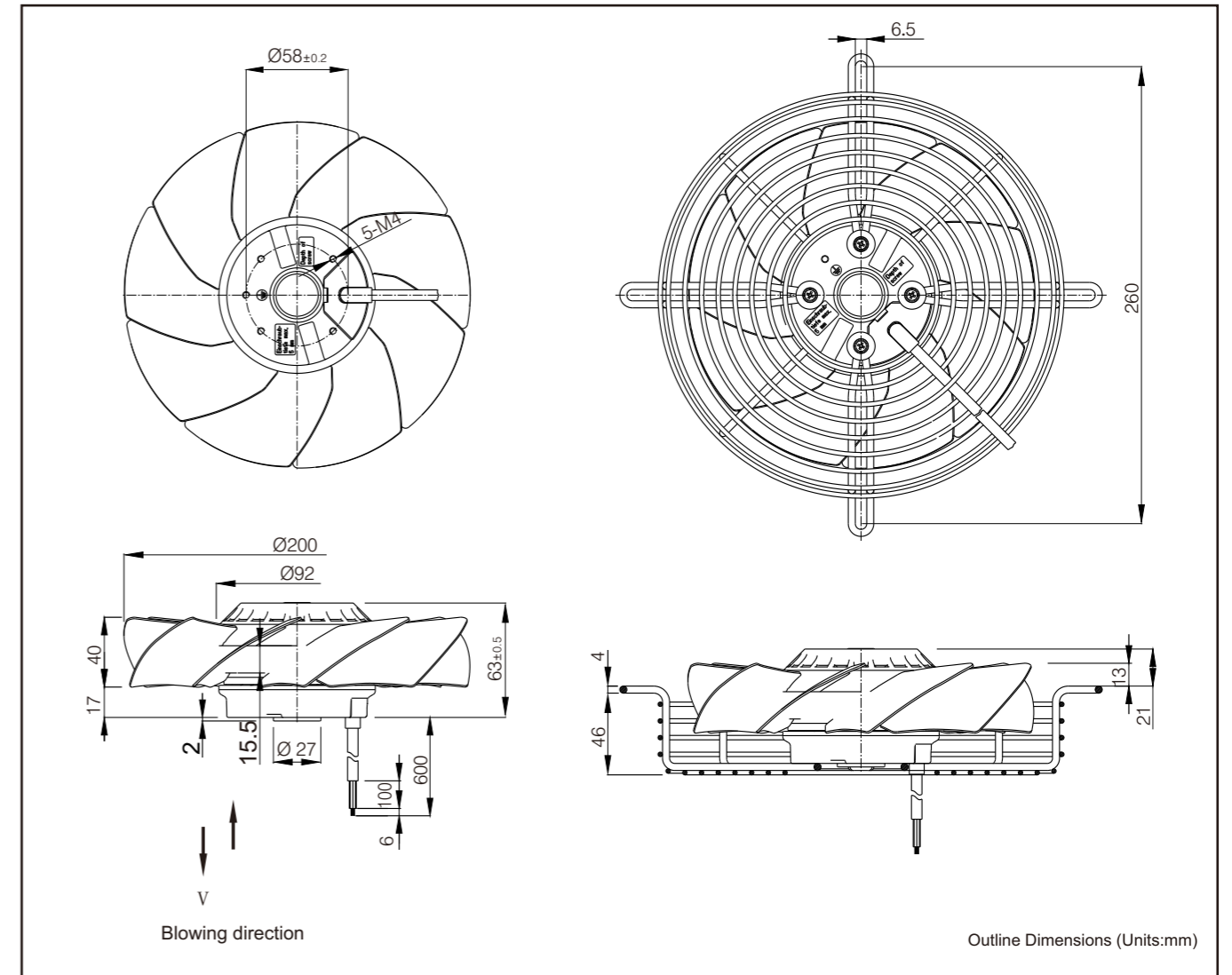
200mm



- ① **Motor**  
Cage type capacitor start external rotor motor
- ② **Impeller**  
Pressed from metal armor plate, impellers are welded to motor rotor and its surface is black and anti-corrosion
- ③ **Fixed Guard**  
Steel wire is finished with black paint and anti-corrosion treatment
- ④ **Allowable environment temperature and humidity range:(under unconcretionary condition)**  
-40°C ~ +80°C (temperature) 0% ~ 95% (humidity)
- ⑤ **Protection**  
Automatic recovery thermal protection
- ⑥ **Withstand Voltage**  
AC 1,800V , 1 min at 0.5mA, 50/60 Hz
- ⑦ **Insulation Grade**  
Design according to IEC61858 Grade F,
- ⑧ **Protection Grade** IP54

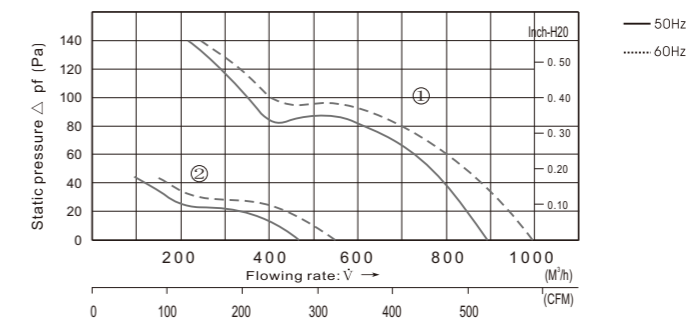
- ①
- ②
- ③
- ④
- ⑤
- ⑥ AC 1800V 0.5mA 50/60Hz 1
- ⑦ IEC61858 F
- ⑧ IP 54

# C2E-200.FG.V



- Ⓐ Rotation direction of blades : CCW seen from the front impellers
- Ⓑ Power Connection: Lead or terminal box
- Ⓒ Unit weight: 1.7kg

- Ⓐ
- Ⓑ
- Ⓒ 1.7kg



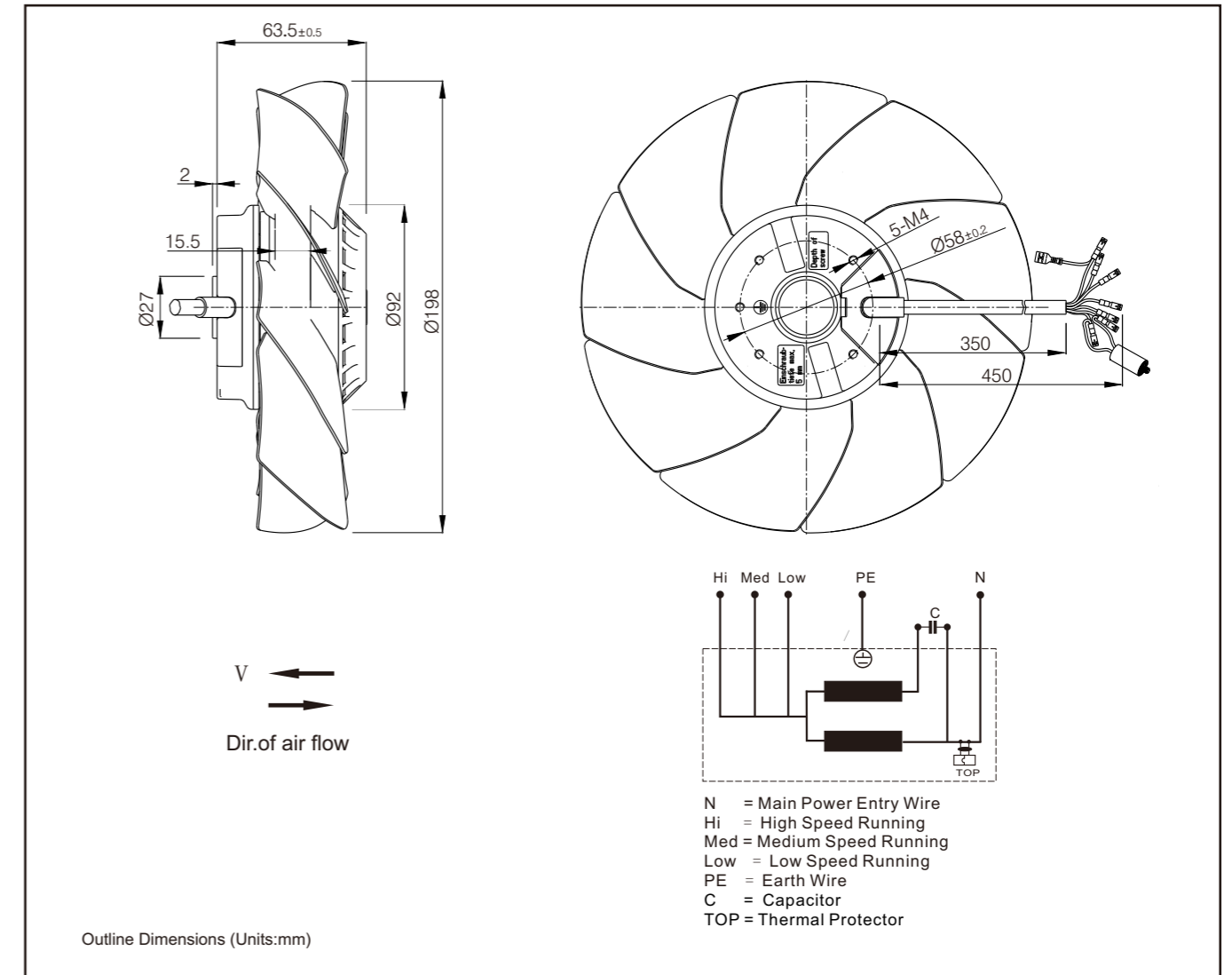
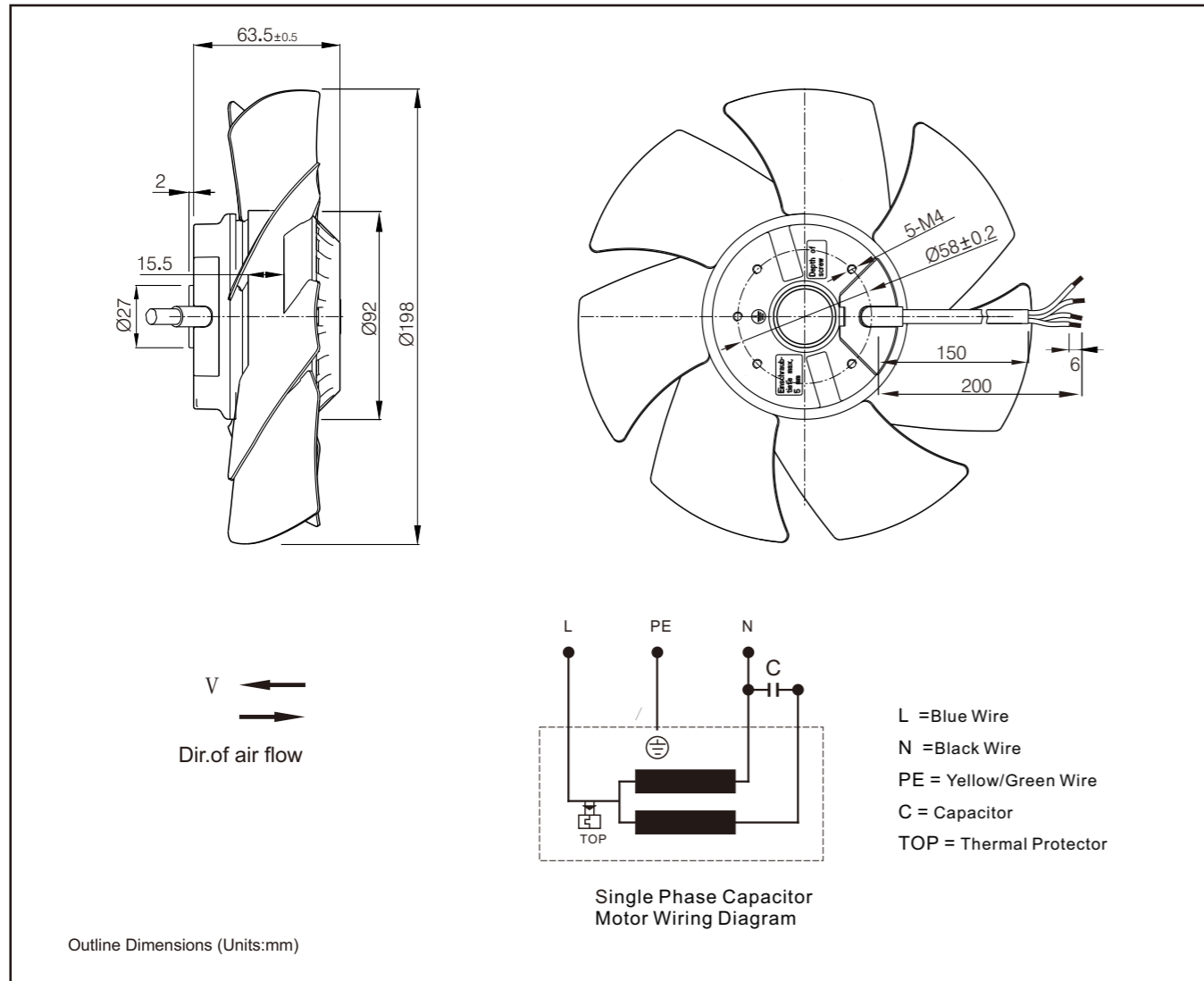
## Parameters

Type	Motor	Rated Voltage V	Frequency Hz	current (A)	Power (W)	Speed (min-1)	Max Air Flow		Static Pressure (Pa)	Noise (dB)	Curve	Capacitor (μF)
							CFM	m3/h				
FJ2S-200.FGV	M2S9201-AF	115	50	0.64	60	2550	525	890	140	64	①	5.0/250
			60	0.62	70	2800	584	990	140	67		
FJ2E-200.FGV	M2E9201-AF	230	50	0.29	65	2550	525	890	140	64	①	1.5/450
			60	0.33	75	2800	584	990	140	67		
FJ2D-200.FGV	M2D9201-AF	400	50	0.17	61	2550	525	890	140	64	①	0.5/630
			60	0.19	71	2800	584	990	140	67		
FJ4S-200.FGV	M4S9201-AF	115	50	0.28	30	1350	274	465	50	42	①	3.0/250
			60	0.28	31	1600	322	545	50	46		



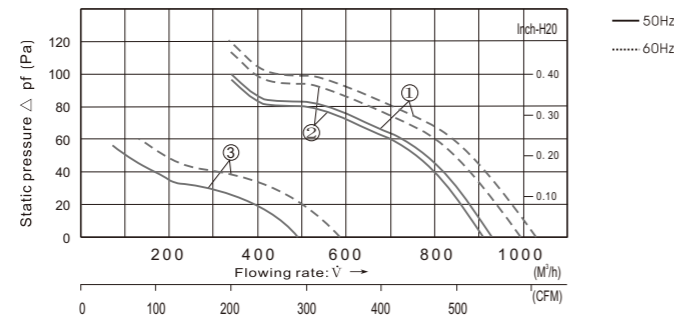
# FJ2E-200.A

# FJ2E-200.TSV



- Ⓐ Rotation direction of blades : CW seen from the front impellers
- Ⓑ Power Connection: UL3266-18 Lead wire
- Ⓒ Unit weight: 1.4kg

- Ⓐ UL3266-18
- Ⓑ 1.4kg
- Ⓒ

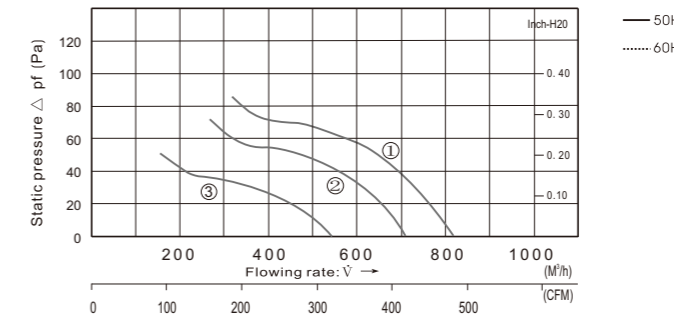


## Parameters

Type	Motor	Rated Voltage V	Frequency Hz	current (A)	Power (W) <sup>+10%</sup> <sub>-20%</sub>	Speed (min-1)	Max Air Flow CFM m3/h	Static Pressure (Pa)	Noise (dB)	Curve	Capacitor (μF)
FJ4S-200.A	M4S9201-AF	115	50	0.28	30	1350	289 490	55	41	③	3.0/250
			60	0.28	31	1600	342 580	60	45		
FJ2E-200.A	M2E9201-AF	230	50	0.29	65	2500	535 906	90	58	②	1.5/450
			60	0.33	75	2700	578 979	115	60		
FJ2D-200.A	M2D9201-AF	380	50	0.17	61	2550	546 925	100	59	①	0.5/630
			60	0.19	71	2800	599 1015	120	61		

- Ⓐ Rotation direction of blades : CCW seen from the front impellers
- Ⓑ Power Connection: UL3266-18 Lead wire
- Ⓒ Unit weight: 1.4kg

- Ⓐ UL3266-18
- Ⓑ 1.4kg
- Ⓒ

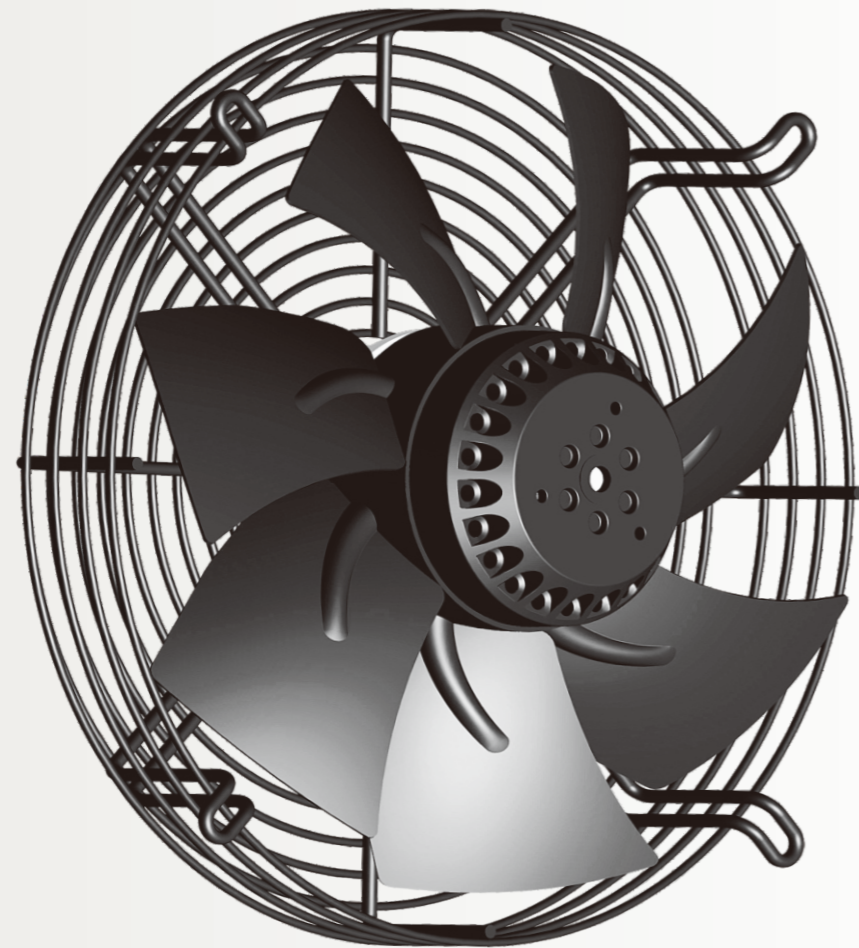


## Parameters

Type	Motor	Rated Voltage V	Frequency Hz	current (A)	Power (W) <sup>+10%</sup> <sub>-20%</sub>	Speed (min-1)	Max Air Flow CFM m3/h	Static Pressure (Pa)	Noise (dB)	Curve	Capacitor (μF)
FJ2E-200.TSV	M2S9201-TS	230	50	0.20	43	2000	480 810	85	57	①	2.0/450
			50	0.19	38	1750	415 705	75	53	②	
			50	0.16	32	1350	321 545	50	49	③	

# EXTERNAL ROTOR SICKLE IMPELLER

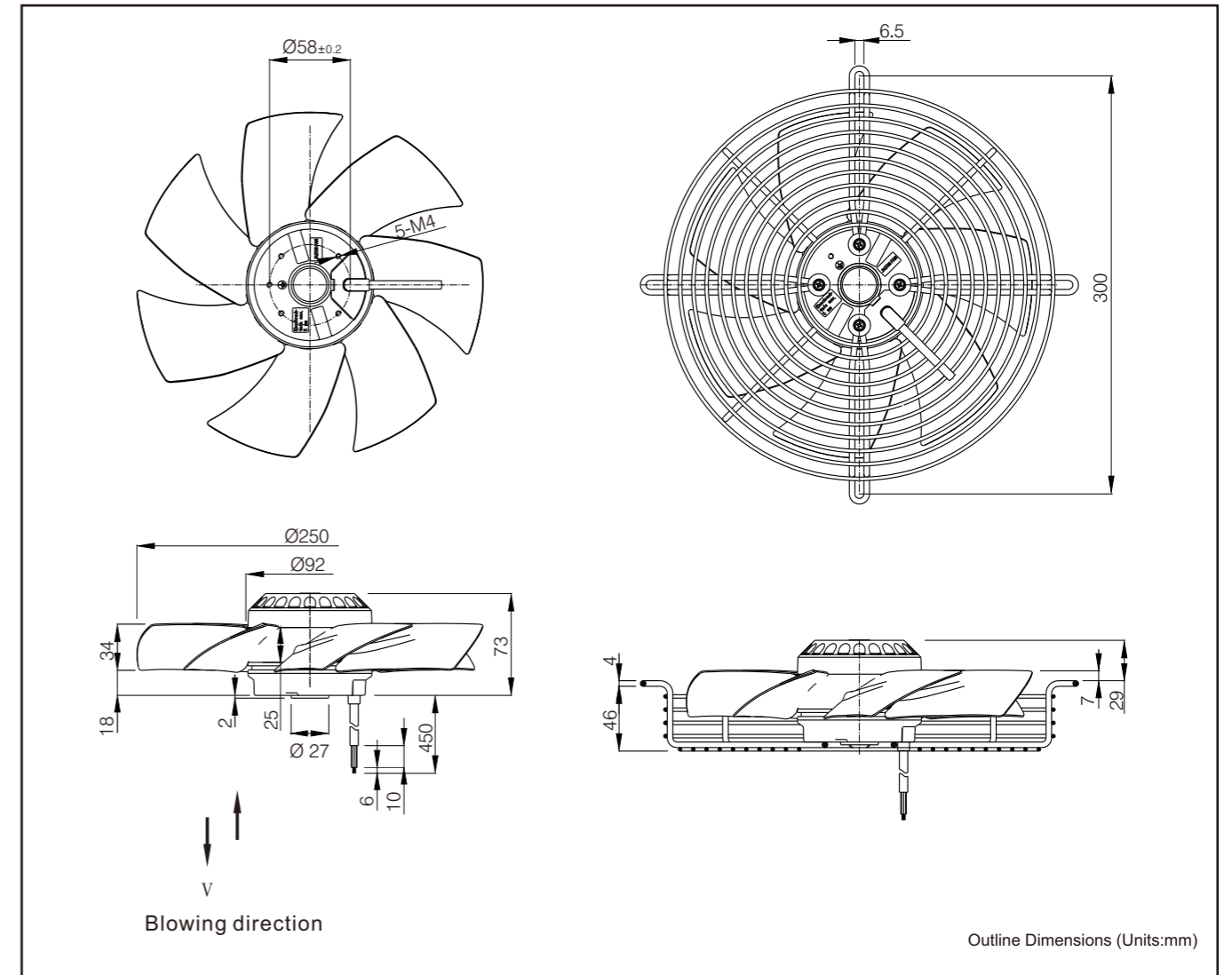
250mm



- ① **Motor**  
Cage type capacitor start external rotor motor
- ② **Impeller**  
Pressed from metal armor plate, impellers are welded to motor rotor and its surface is black and anti-corrosion
- ③ **Fixed Guard**  
Steel wire is finished with black paint and anti-corrosion treatment
- ④ **Allowable environment temperature and humidity range:(under unconcretionary condition)**  
-40°C ~ +75°C (temperature) 0% ~ 95% (humidity)
- ⑤ **Protection**  
Automatic recovery thermal protection
- ⑥ **Withstand Voltage**  
AC 1,800V , 1 min at 0.5mA, 50/60 Hz
- ⑦ **Insulation Grade**  
Design according to IEC61858 Grade F,
- ⑧ **Protection Grade** IP54

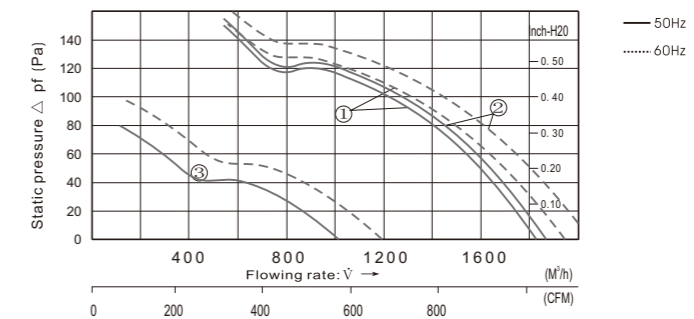
- ①
- ②
- ③
- ④ : ( )
- ⑤ :
- ⑥ AC 1800V 0.5mA 50/60Hz 1
- ⑦ IEC61858 F
- ⑧ IP 54

# C2E-250.FG.V



- Ⓐ Rotation direction of blades : CCW seen from the front impellers
- Ⓑ Power Connection: Lead or terminal box
- Ⓒ Unit weight: 2.5kg

- Ⓐ
- Ⓑ
- Ⓒ 2.5kg

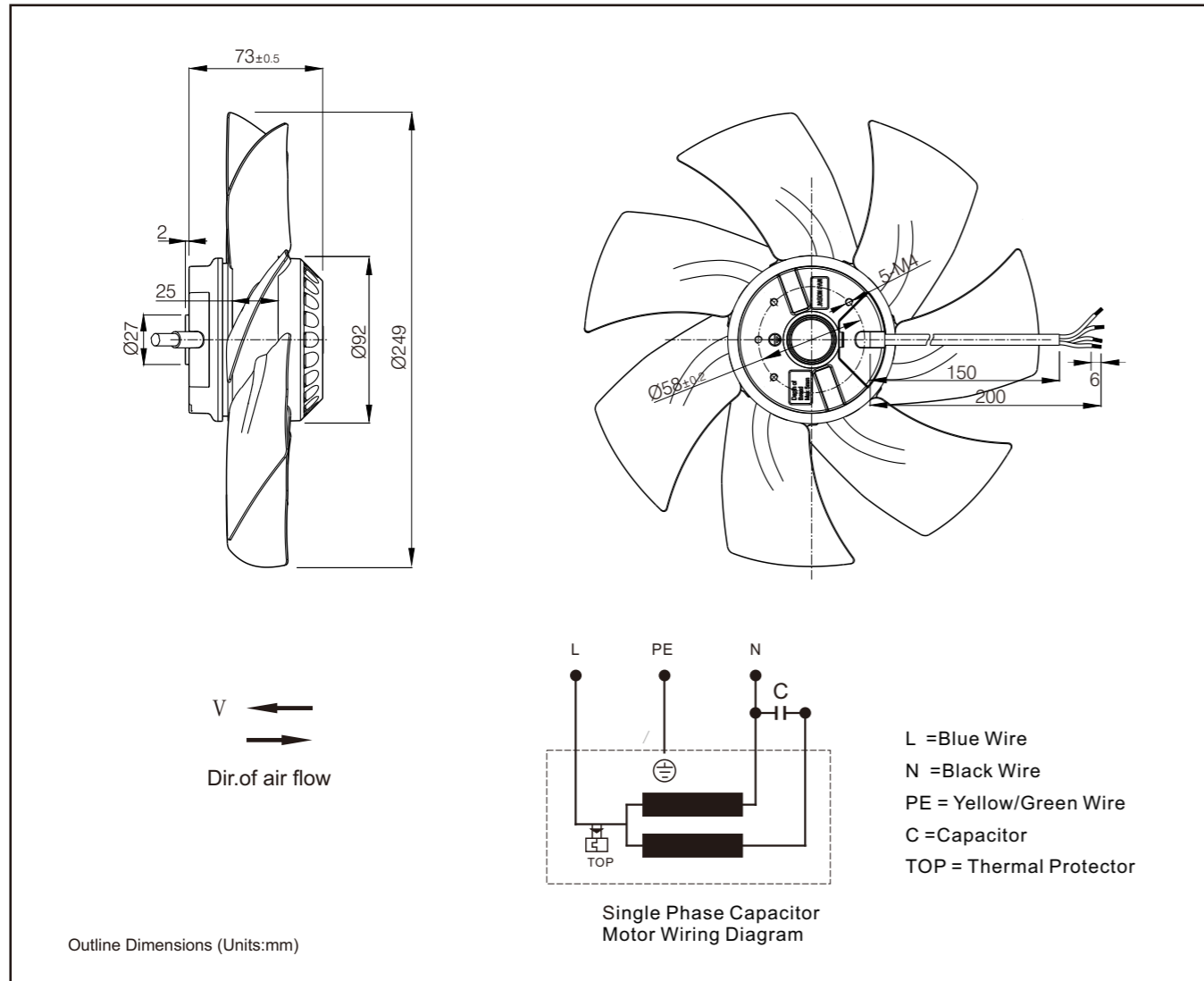


## Parameters

Type	Motor	Rated Voltage V	Frequency Hz	current (A)	Power (W)	Speed (min-1)	Max Air Flow		Static Pressure (Pa)	Noise (dB)	Curve	Capacitor (μF)
							CFM	m3/h				
FJ2S-250.FGV/A	M2S9202-AF	115	50	1.10	110	2500	1080	1830	150	69	①	8.0/250
			60	1.20	136	2650	1151	1950	150	70		
FJ2E-250.FGV/A	M2E9202-AF	230	50	0.48	105	2550	1100	1867	150	69	②	3.0/450
			60	0.62	140	2800	1215	2060	160	71		
FJ2D-250.FGV/A	M2D9202-AF	400	50	0.29	115	2550	1100	1867	150	69	②	1.0/630
			60	0.39	150	2800	1215	2060	160	71		
FJ4E-250.FGV/A	M4E9202-AF	230	50	0.24	50	1400	596	1010	80	54	③	1.5/450
			60	0.25	57	1650	708	1200	100	58		

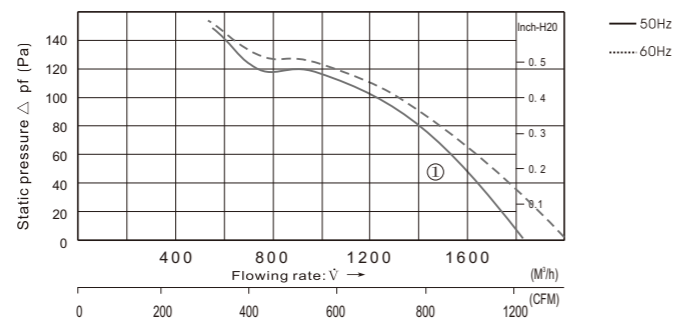


# FJ2E-250.A



- Ⓐ Rotation direction of blades : CW seen from the front impellers
- Ⓑ Power Connection: UL3266-18 Lead wire
- Ⓒ Unit weight: 1.8kg

- Ⓐ UL3266-18
- Ⓑ 1.8kg



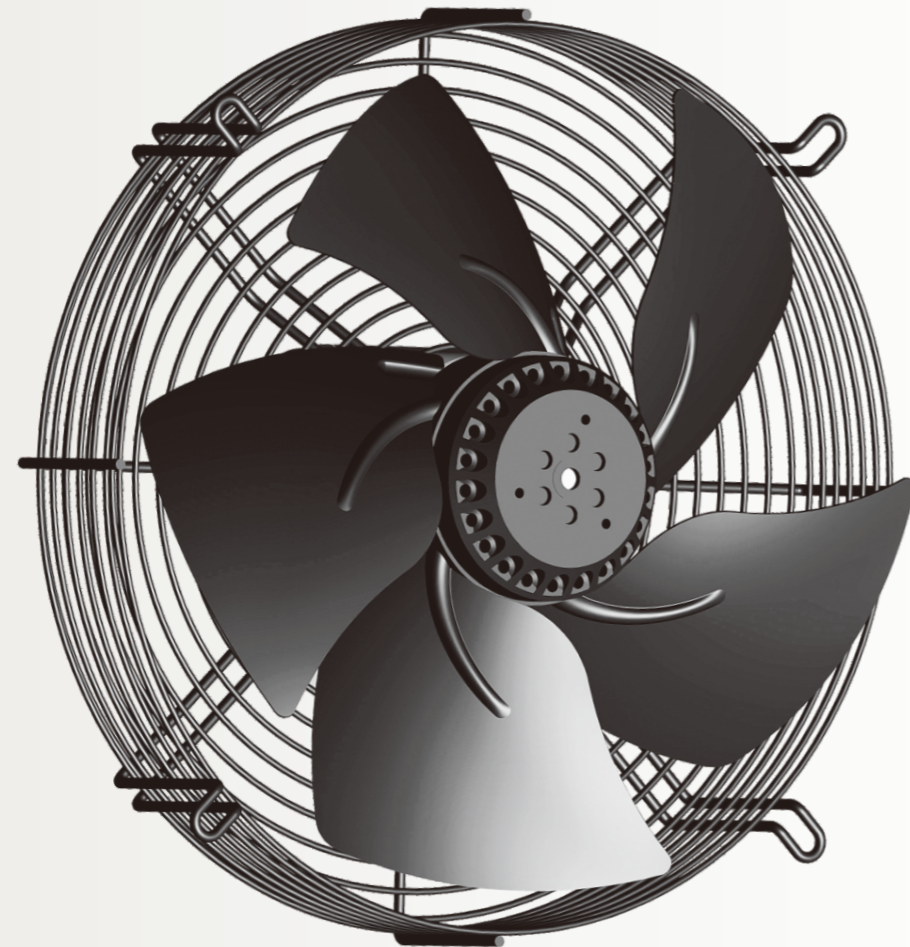
## Parameters

Type	Motor	Rated Voltage V	Frequency Hz	current (A)	Power (W) <sup>+10%</sup> <sub>-20%</sub>	Speed (min-1)	Max Air Flow		Static Pressure (Pa)	Noise (dB)	Curve	Capacitor ( $\mu$ F)
							CFM	m3/h				
FJ2S-250.V/A	M2S9202-AF	115	50	1.10	110	2550	1098	1860	150	67	Ⓐ	8.0/250
			60	1.20	140	2800	1239	2100	155	69		3.0/450
FJ2E-250.V/A	M2E9202-AF	230	50	0.48	105	2550	1098	1860	150	67	Ⓐ	8.0/250
			60	0.62	140	2800	1239	2100	155	69		3.0/450
FJ2D-250.V/A	M2D9202-AF	380	50	0.29	115	2550	1098	1860	150	67	Ⓐ	1.0/630
			60	0.39	150	2800	1239	2100	155	69		1.0/630

Total solution

# EXTERNAL ROTOR SICKLE IMPELLER

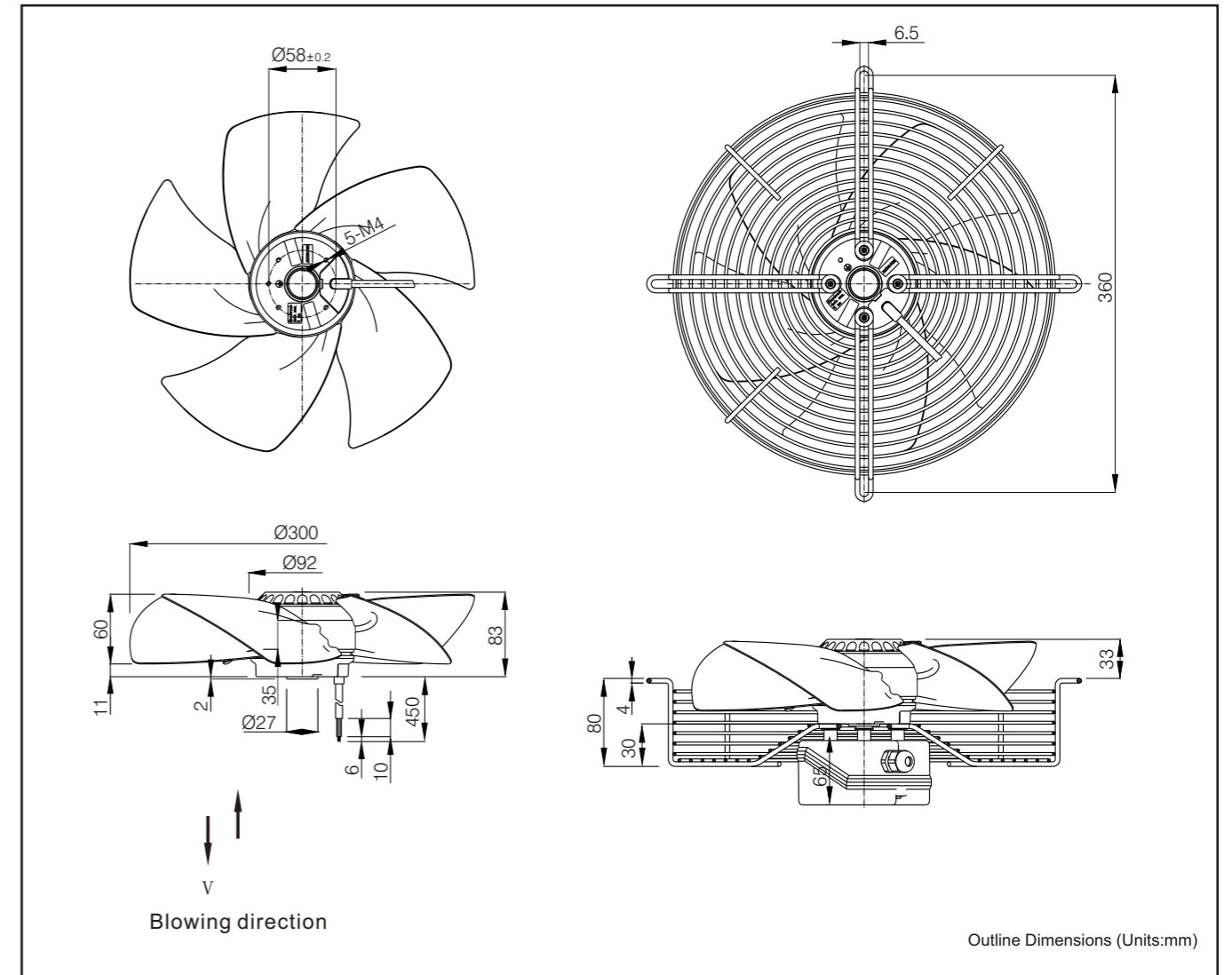
300mm



- 1 **Motor**  
Cage type capacitor start external rotor motor
- 2 **Impeller**  
Pressed from metal armor plate, impellers are welded to motor rotor and its surface is black and anti-corrosion
- 3 **Fixed Guard**  
Steel wire is finished with black paint and anti-corrosion treatment
- 4 **Allowable environment temperature and humidity range:(under unconcretionary condition)**  
-30°C ~ +75°C (temperature) 0% ~ 95% (humidity)
- 5 **Protection**  
Automatic recovery thermal protection
- 6 **Withstand Voltage**  
AC 1,800V ,1 min at 0.5mA, 50/60 Hz
- 7 **Insulation Grade**  
Design according to IEC61858 Grade F,
- 8 **Protection Grade** IP44

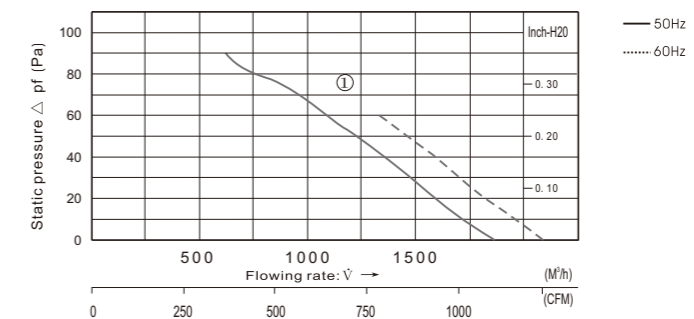
- 1
- 2
- 3
- 4
- 5
- 6 AC 1800V 0.5mA 50/60Hz 1
- 7 IEC61858 F
- 8 IP 44

# C4E-300.FG.V



- A Rotation direction of blades : CCW seen from the front impellers
- B Power Connection: Lead or terminal box
- C Unit weight: 3.0kg

- A
- B
- C 3.0kg



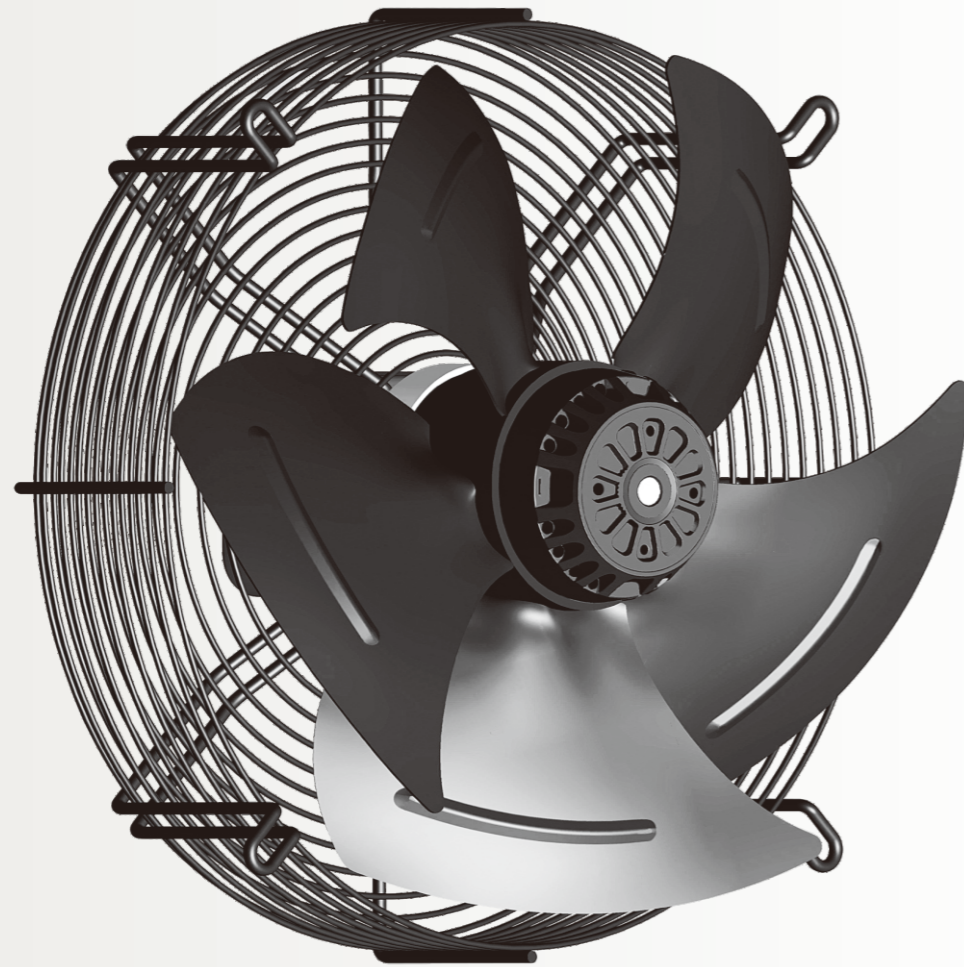
## Parameters

Type	Motor	Rated Voltage	Frequency	current	Power	Speed	Max Air Flow	Static Pressure	Noise	Curve	Capacitor
		V	Hz	(A)	(W)	(min-1)	CFM m3/h	(Pa)	(dB)		(μF)
FJ4S-300.FGA	M4S9203-AF	115	50	0.99	95	1350	1080 1830	90	57	①	10.0/250
			60	0.92	100	1550	1239 2100	60	60		
FJ4E-300.FGV	M4E9203-AF	230	50	0.43	92	1350	1080 1830	90	57	①	2.0/450
			60	0.45	105	1450	1239 2100	60	60		
FJ4D-300.FGA	M4D9203-AF	400	50	0.26	90	1350	1080 1830	90	57	①	1.0/630
			60	0.29	112	1530	1239 2100	60	60		



# EXTERNAL ROTOR SICKLE IMPELLER

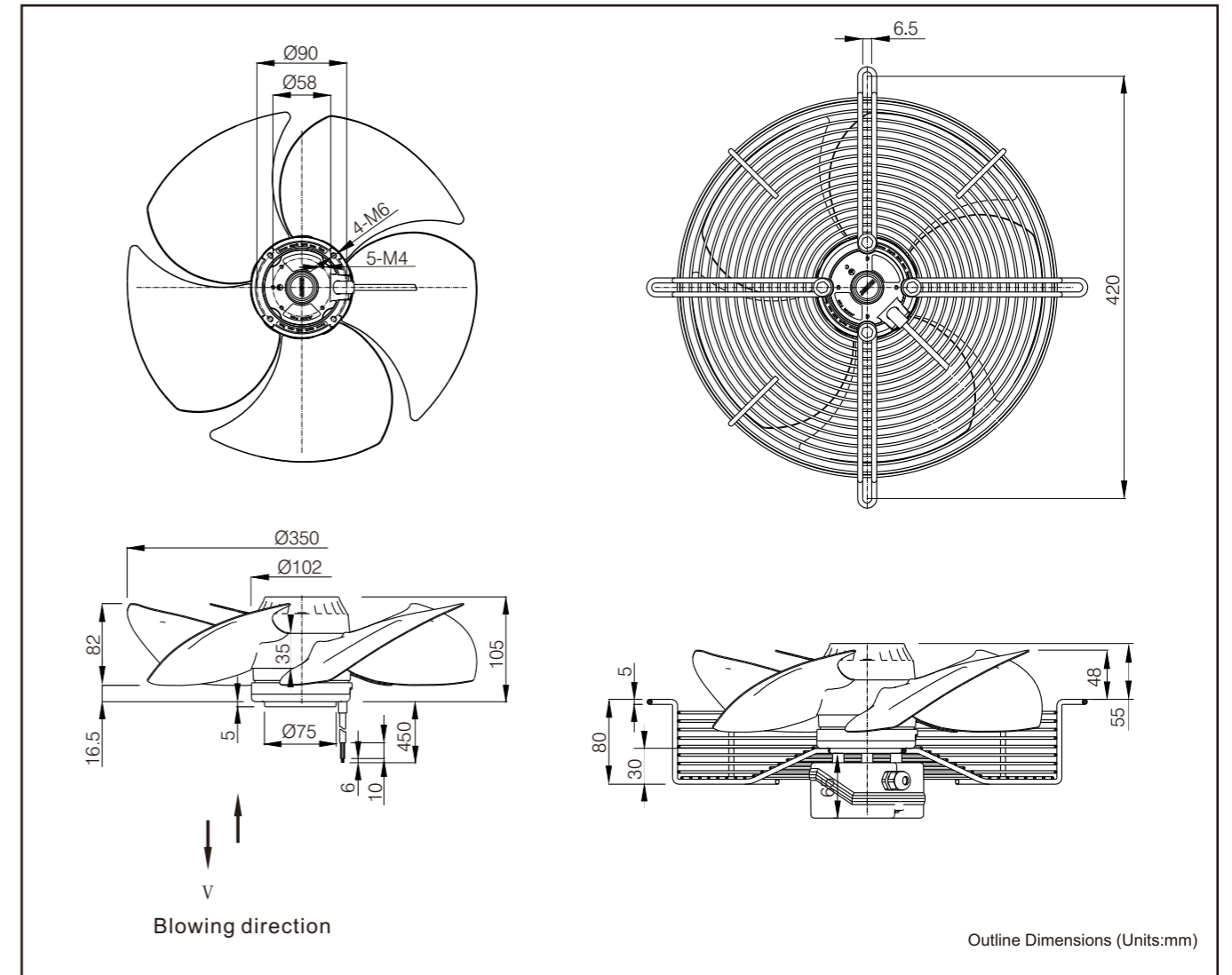
## 350mm



- 1 **Motor**  
Cage type capacitor start external rotor motor
- 2 **Impeller**  
Pressed from metal armor plate, impellers are welded to motor rotor and its surface is black and anti-corrosion
- 3 **Fixed Guard**  
Steel wire is finished with black paint and anti-corrosion treatment
- 4 **Allowable environment temperature and humidity range:(under unconcretionary condition)**  
-30°C ~ +75°C (temperature) 0% ~ 95% (humidity)
- 5 **Protection**  
Automatic recovery thermal protection
- 6 **Withstand Voltage**  
AC 1,800V , 1 min at 0.5mA, 50/60 Hz
- 7 **Insulation Grade**  
Design according to IEC61858 Grade F,
- 8 **Protection Grade** IP44

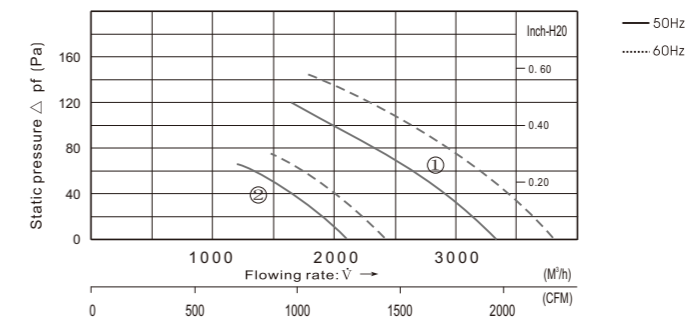
- 1
- 2
- 3
- 4
- 5
- 6 AC 1800V 0.5mA 50/60Hz 1
- 7 IEC61858 F
- 8 IP 44

# C4E-350.FG.V



- Ⓐ Rotation direction of blades : CCW seen from the front impellers
- Ⓑ Power Connection: Lead or terminal box
- Ⓒ Unit weight: 4.7kg

- Ⓐ
- Ⓑ
- Ⓒ 4.7kg

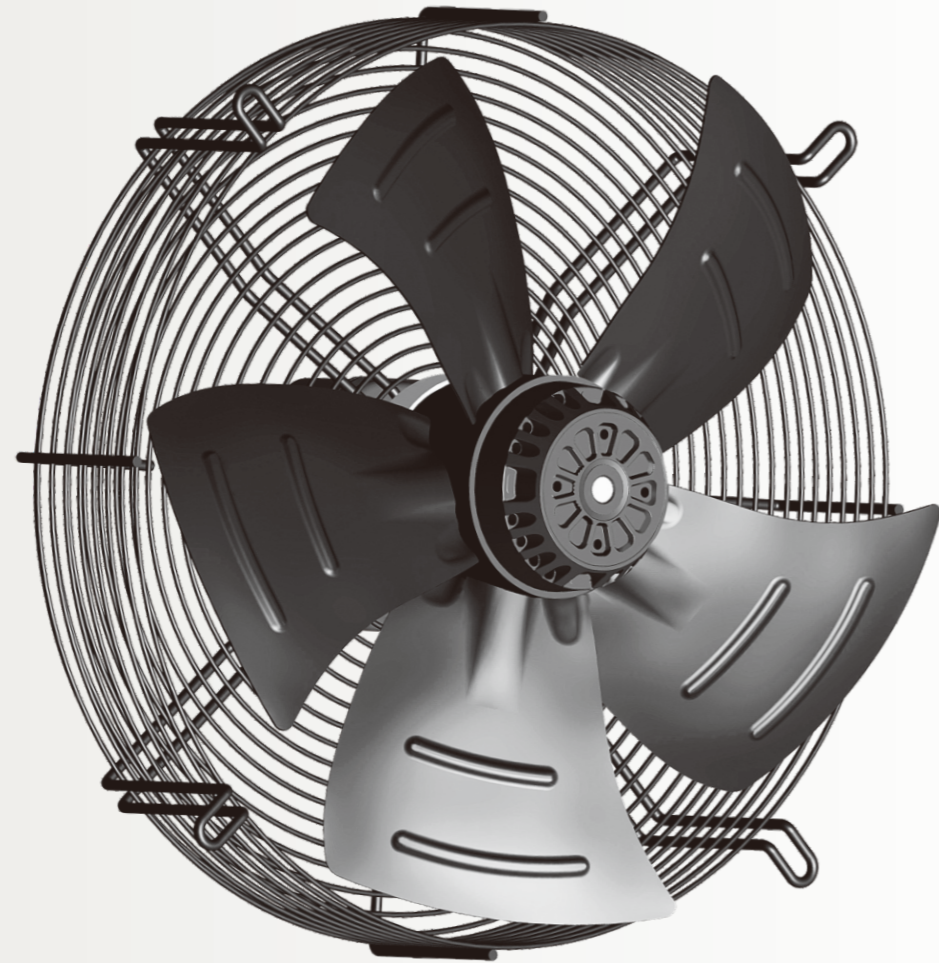


### Parameters

Type	Motor	Rated Voltage V	Frequency Hz	current (A)	Power (W)	Speed (min-1)	Max Air Flow		Static Pressure (Pa)	Noise (dB)	Curve	Capacitor (μF)
							CFM	m3/h				
FJ4S-350.FGV	M4S10201-AF	115	50	1.22	130	1400	1942	3290	120	64	①	12.0/250
			60	1.49	170	1600	2225	3770	145	67		
FJ4E-350.FGV	M4E10201-AF	230	50	0.59	135	1400	1942	3290	120	64	①	4.0/450
			60	0.79	183	1600	2225	3770	145	67		
FJ4ED-350.FGV	M4ED10201-AF	230/400	50	.62/.35	137/135	1400	1942	3290	120	64	-----	-----
			60	.58/.32	167/170	1600	2225	3770	145	67		
FJ6E-350.FGV	M6E10201-AF	115	50	0.31	65	950	1307	2215	40	55	②	2.0/450
			60	0.34	77	1100	1510	2560	45	58		

# EXTERNAL ROTOR SICKLE IMPELLER

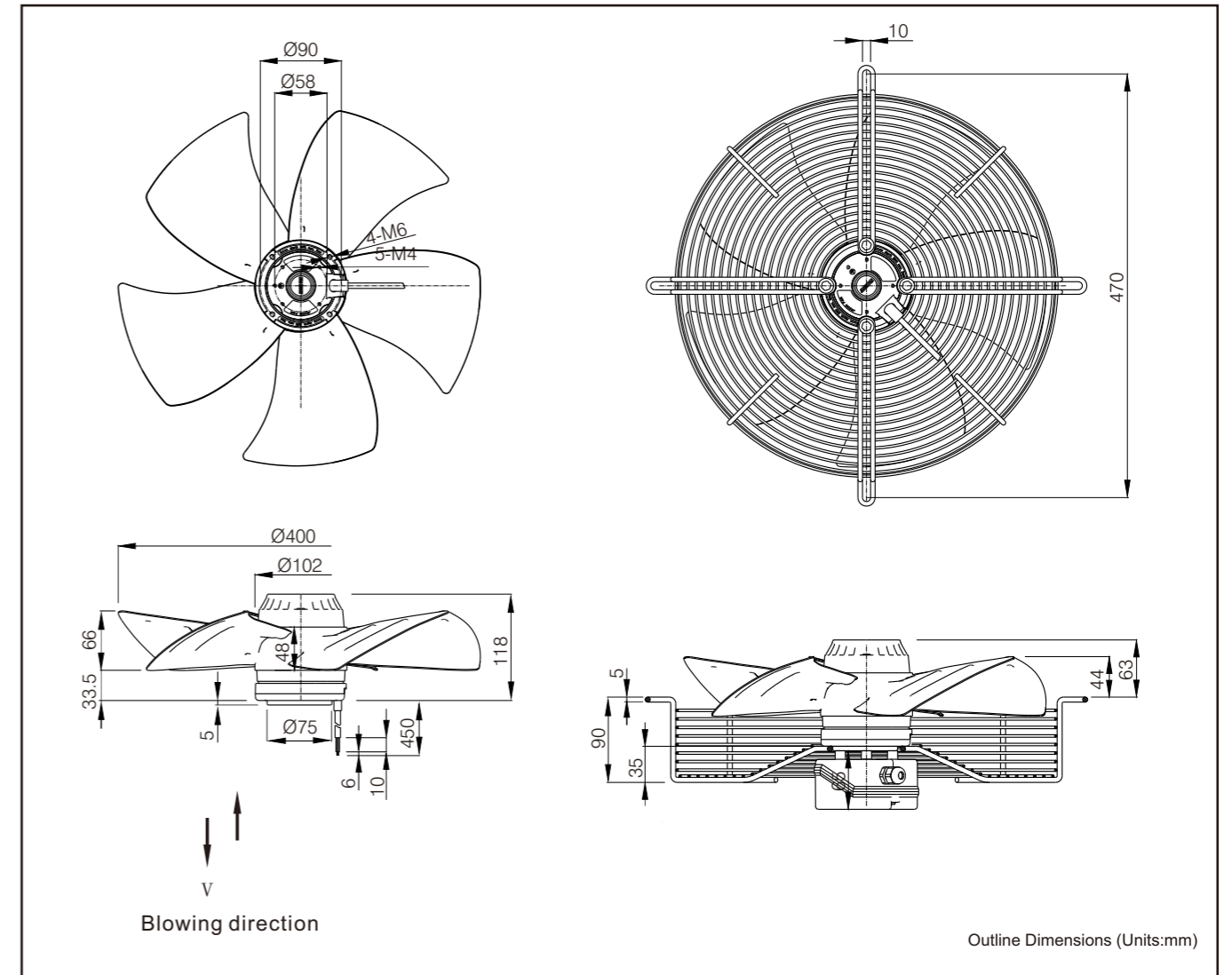
400mm



- 1 **Motor**  
Cage type capacitor start external rotor motor
- 2 **Impeller**  
Pressed from metal armor plate, impellers are welded to motor rotor and its surface is black and anti-corrosion
- 3 **Fixed Guard**  
Steel wire is finished with black paint and anti-corrosion treatment
- 4 **Allowable environment temperature and humidity range:(under unconcretionary condition)**  
-30°C ~ +75°C (temperature) 0% ~ 95% (humidity)
- 5 **Protection**  
Automatic recovery thermal protection
- 6 **Withstand Voltage**  
AC 1,800V , 1 min at 0.5mA, 50/60 Hz
- 7 **Insulation Grade**  
Design according to IEC61858 Grade F,
- 8 **Protection Grade** IP44

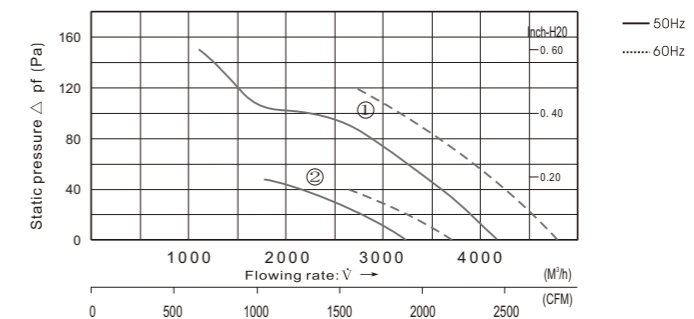
- 1
- 2
- 3
- 4
- 5
- 6 AC 1800V 0.5mA 50/60Hz 1
- 7 IEC61858 F
- 8 IP 44

# C4E-400.FG.V



- Ⓐ Rotation direction of blades : CCW seen from the front impellers
- Ⓑ Power Connection: Lead or terminal box
- Ⓒ Unit weight: 5.5kg

- Ⓐ
- Ⓑ
- Ⓒ 5.5kg

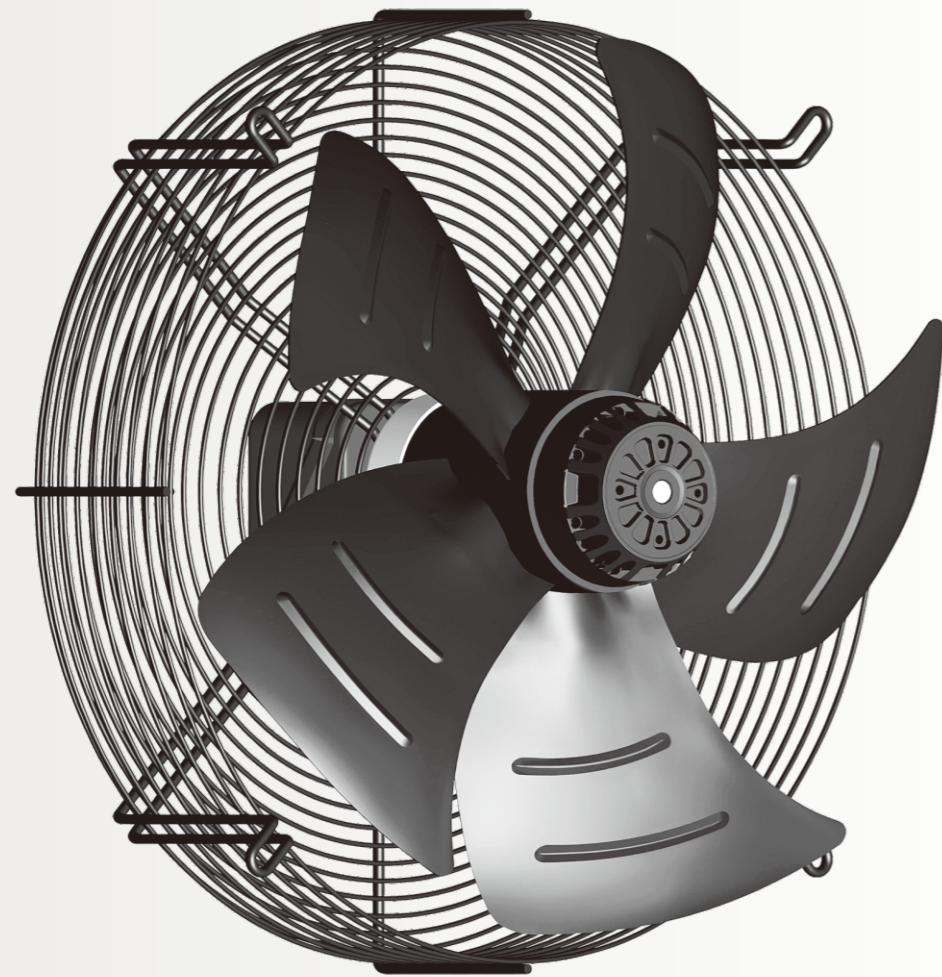


## Parameters

Type	Motor	Rated Voltage V	Frequency Hz	current (A)	Power (W) <sup>+10%</sup> / <sub>-20%</sub>	Speed (min-1)	Max Air Flow		Static Pressure (Pa)	Noise (dB)	Curve	Capacitor (μF)
							CFM	m3/h				
FJ4S-400.FGV	M4S10202-AF	115	50	1.90	196	1400	2440	4140	150	68	①	20.0/250
			60	2.18	248	1600	2750	4660	120	71		
FJ4E-400.FGV	M4E10202-AF	230	50	0.80	175	1400	2440	4140	150	68	①	5.0/450
			60	1.00	250	1600	2750	4660	120	71		
FJ4ED-400.FGV	M4ED10202-AF	230/400	50	.77/.44	166/167	1400	2440	4140	150	64	①	-----
			60	.75/.43	226/225	1600	2750	4660	120	68		
FJ6D-400.FGV	M6D10202-AF	400	50	0.21	68	920	1900	3220	50	71	②	-----
			60	0.19	82	1050	2170	3680	40	60		

# EXTERNAL ROTOR SICKLE IMPELLER

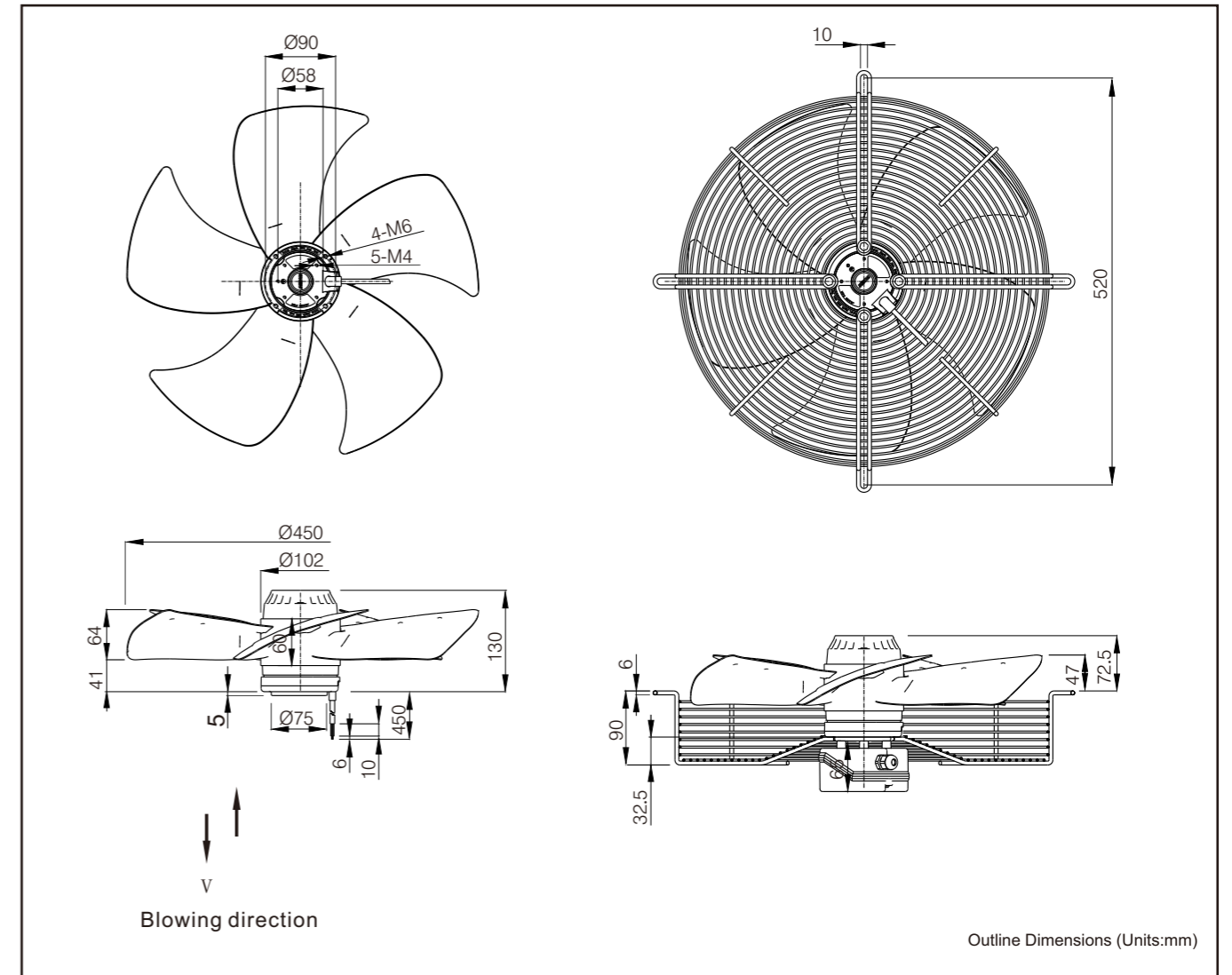
450mm



- ① **Motor**  
Cage type capacitor start external rotor motor
- ② **Impeller**  
Pressed from metal armor plate, impellers are welded to motor rotor and its surface is black and anti-corrosion
- ③ **Fixed Guard**  
Steel wire is finished with black paint and anti-corrosion treatment
- ④ **Allowable environment temperature and humidity range:(under unconcretionary condition)**  
-30°C ~ +75°C (temperature) 0% ~ 95% (humidity)
- ⑤ **Protection**  
Automatic recovery thermal protection
- ⑥ **Withstand Voltage**  
AC 1,800V , 1 min at 0.5mA, 50/60 Hz
- ⑦ **Insulation Grade**  
Design according to IEC61858 Grade F,
- ⑧ **Protection Grade** IP44

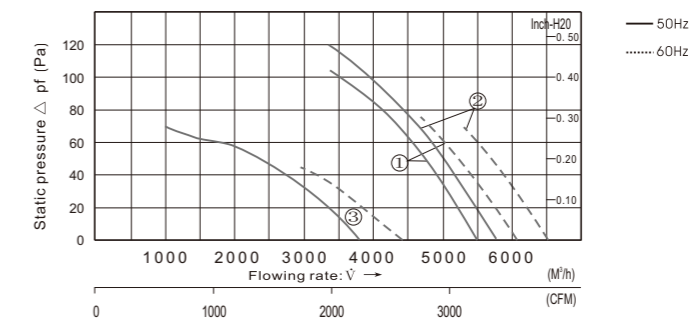
- ①
- ②
- ③
- ④
- ⑤
- ⑥ AC 1800V 0.5mA 50/60Hz 1
- ⑦ IEC61858 F
- ⑧ IP 44

# C4E-450.FG.V



- Ⓐ Rotation direction of blades : CCW seen from the front impellers
- Ⓑ Power Connection: Lead or terminal box
- Ⓒ Unit weight: 7.2kg

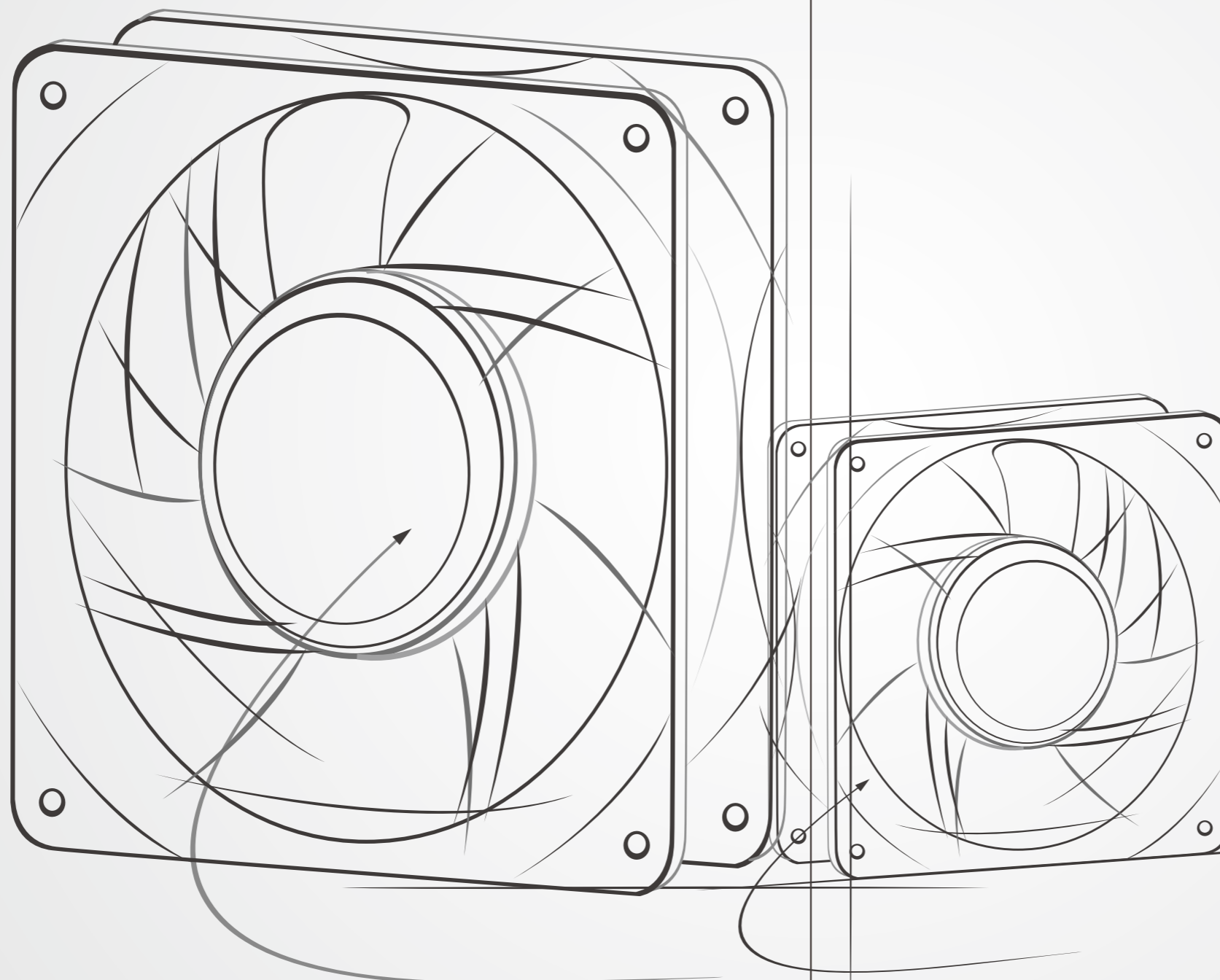
- Ⓐ
- Ⓑ
- Ⓒ 7.2kg



## Parameters

Type	Motor	Rated Voltage V	Frequency Hz	current (A)	Power (W) <sup>+10% -20%</sup>	Speed (min-1)	Max Air Flow		Static Pressure (Pa)	Noise (dB)	Curve	Capacitor (μF)
							CFM	m3/h				
FJ4E-450.FGV	M4E10203-AF	230	50	1.12	245	1350	3250	5500	105	68	①	8.0/450
			60	1.50	340	1480	3560	6030	75	71		
FJ4D-450.FGV	M4D10203-AF	400	50	0.66	240	1350	3250	5500	105	68	①	2.0/630
			60	0.91	340	1480	3560	6030	75	71		
FJ4ED-450.FGV	M4ED10203-AF	230/400	50	1.08/1.61	222/220	1400	3360	5700	120	64	②	-----
			60	1.05/1.61	306/305	1600	3840	6500	70	68		
FJ6E-450.FGV	M6E10203-AF	400	50	0.62	132	930	2230	3780	70	62	③	4.0/450
			60	0.73	168	1080	2590	4400	45	66		

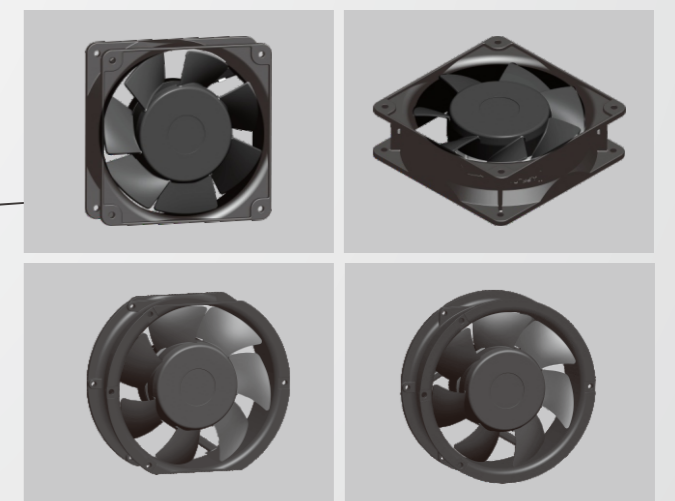
# Shaded Pole Axial Flow Series



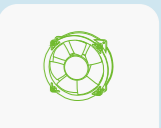
external rotor

- With small compact structure and flange frame, it is convenient for installation.
- Shaded pole asynchronous 2 poles motor design, full dynamic and free maintenance.
- Various kinds of models can satisfy the requirement of many industrial fields.
- Sleeve bearing can realize very low noise.
- Ball bearing can endure bad running environment.
- Different specifications can provide different voltages and air volume.
- Wide choice for fan accessories: different sizes of metal finger guards, plastic finger guards, filter pad, air filter, lead wires and so on.
- The fans have approvals of TUV, CSA, CE,CCC and RoHS.

TUV, CSA, CE, CCC RoHS



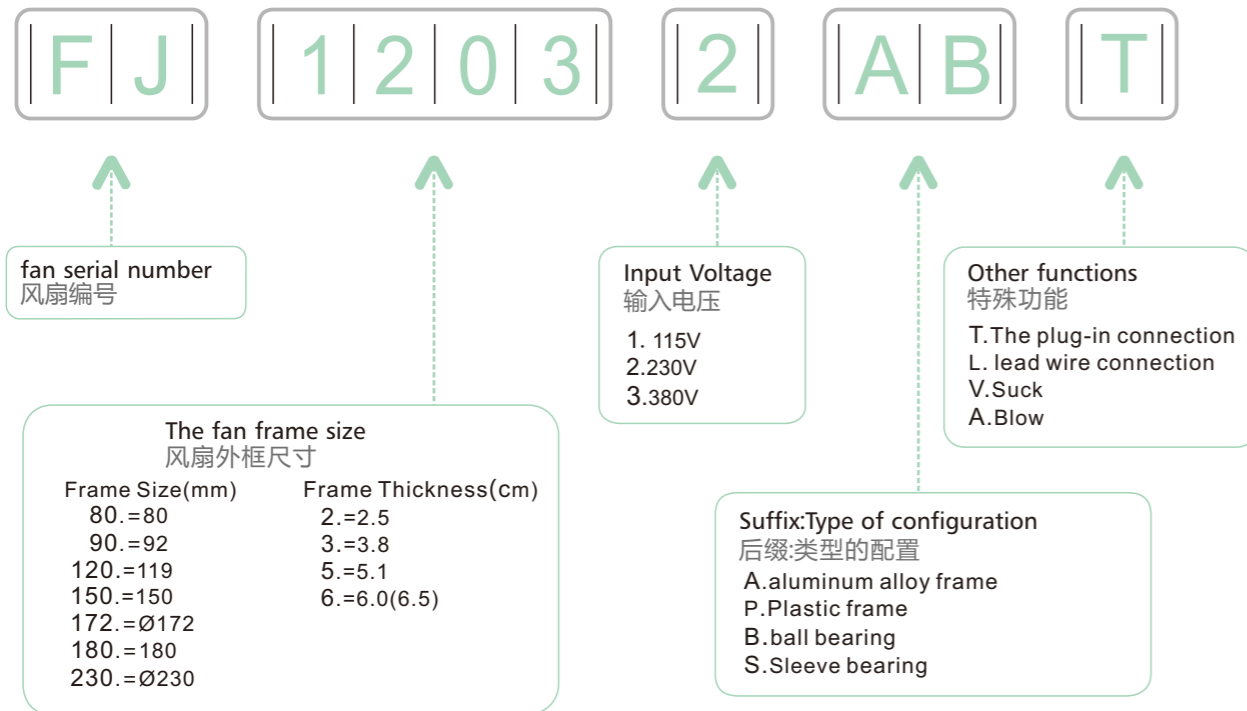
BLACK PA NYLON ONE-TIME INJECTION MOULDING



## 常规型号说明

### Common Models description

#### 常规型号说明



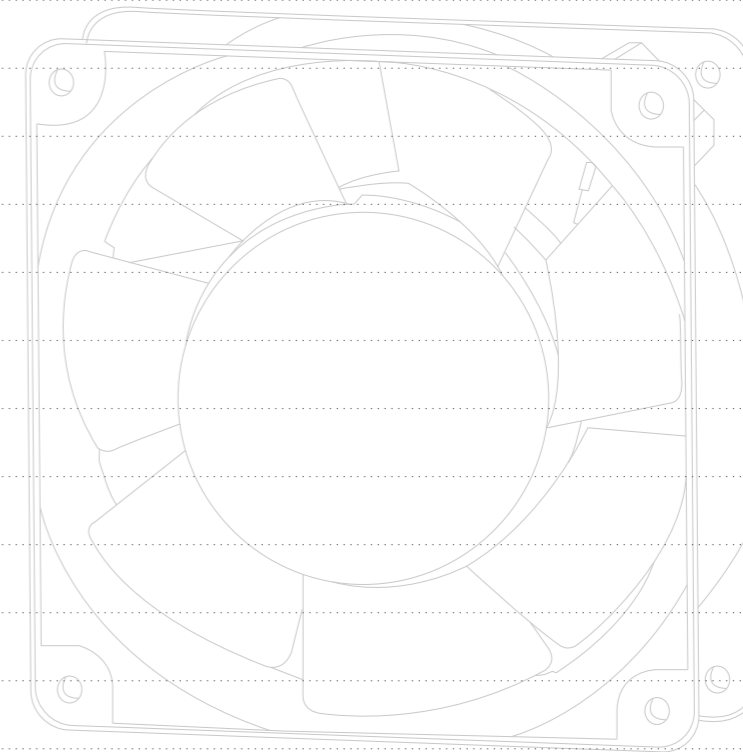
References are based on the frame dimension, which helps you to quickly select the best choice for your installation.  
引用基于外壳尺寸,这能让你快速选择你安装的最佳选择

Example:  
When your installation space is enough for dimension 120\*120\*38mm, please choose FJ1203  
当你安装空间足够尺寸 120X120X38mm,请选择 FJ1203



When you choose AC 220V, frame size 120x120x38mm, sleeve bearing, plug-in connection, please choose model FJ12032AST  
当你选择电压 220V 外框尺寸 120X120X38mm,马达转动部份是选含油轴承时,引出线连接采用插件方式时,请选择 FJ12032AST

We can customize your unconventional products.  
我们可非常规量身定制您的产品



## Total solution

# SHADED POLE MOTOR FAN

80mm

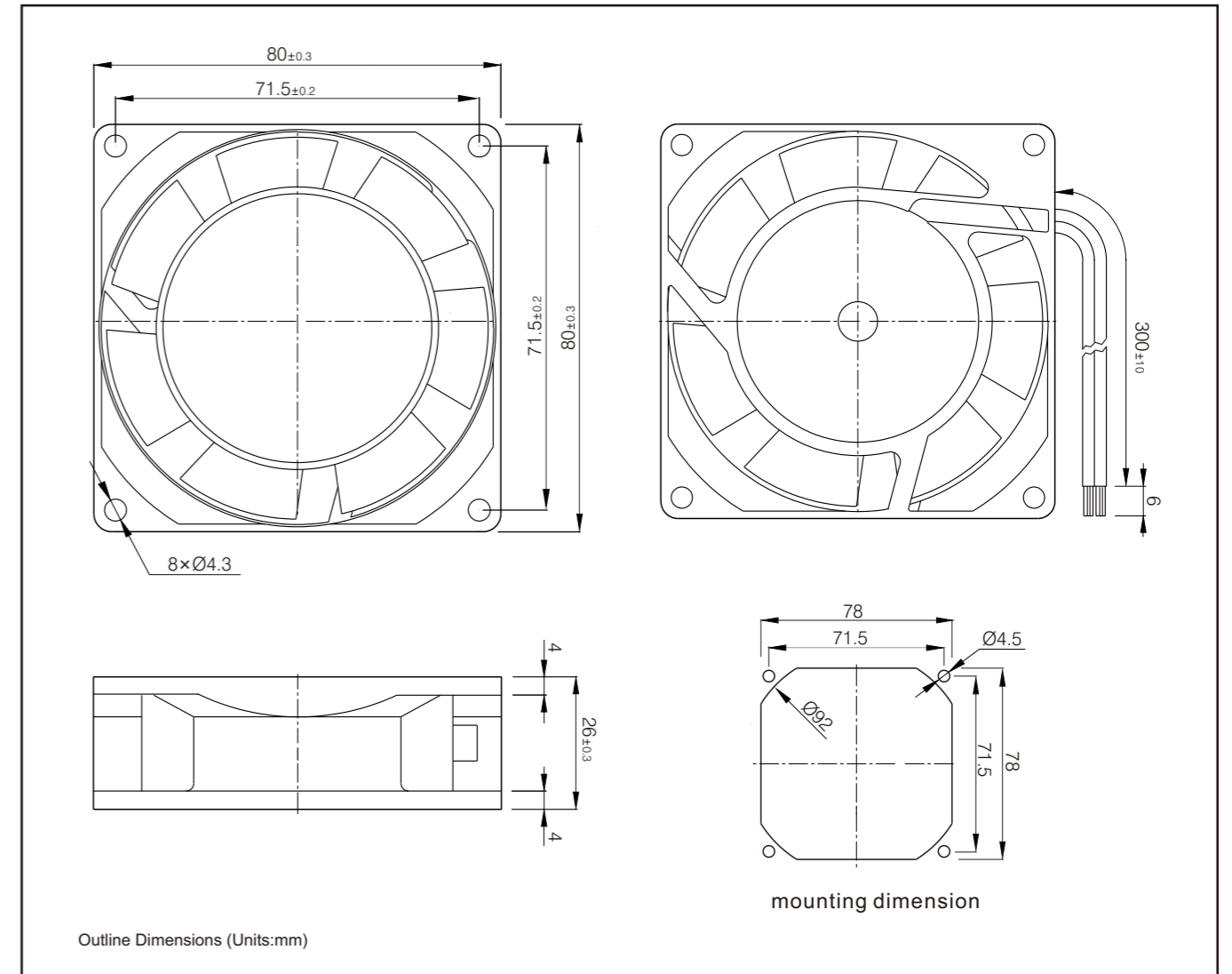


1 Connection mode  
FJ8022AB

- 1 **Frame**  
Aluminium alloy die-casting, surfaces is finished by black anti-corrosion treatment.
- 2 **Impeller**  
Black plastic PBT UL94V-0
- 3 **Operation Temperature/Humidity Range:**  
(under unconcretionary state)  
-30°C ~ +60°C (temperature), 0% ~ 95% (himidity)
- 4 **Protection**  
Impedance Protected
- 5 **Withstand Voltage**  
AC 1,500V , 1 min at 0.5mA, 50/60 Hz
- 6 **Insulation System**  
Design according to IEC61858 Grade B,
- 7 **Protection Grade** IP34

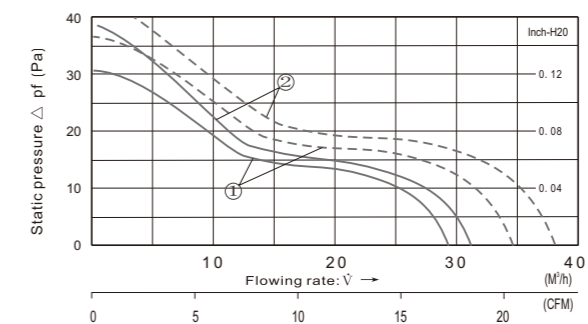
- 1
- 2 PBT UL94V-0.
- 3 /
- 4 -30 ~ +60 0% ~ 95%
- 5 :
- 6 AC 1500V 0.5mA 50/60Hz 1
- 7 IEC61858 B
- 8 IP 34

# FJ8022AB



- A Rotation direction of blades : CCW seen from the front impellers
- B Power Connection: UL3385-22 Lead wire
- C Unit weight: 225g

- A
- B UL3385-22
- C 225g



## Parameters

Type	Motor	Rated Voltage V	Frequency Hz	current (A)	Power (W) <small>+10% -20%</small>	Speed (min-1)	Max Air Flow CFM m3/h	Static Pressure (Pa)	Noise (dB)	Curve	Capacitor ( $\mu$ F)
FJ8021AS	M2S5601-SB	115	50	0.12	10	2300	17 29	33	29	①	----
			60	0.10	9	2700	21 35	37	33		
FJ8021AB	M2S5601-BB	115	50	0.13	13	2400	18 31	42	30	②	----
			60	0.15	15	2900	22 38	45	34		
FJ8022AS	M2E5601-SB	230	50	0.07	13	2300	17 29	33	29	①	----
			60	0.06	11	2700	21 35	37	33		
FJ8022AB	M2E5601-BB	230	50	0.07	13	2400	18 31	42	30	②	----
			60	0.06	11	2900	22 38	45	34		

# SHADED POLE MOTOR FAN

92mm

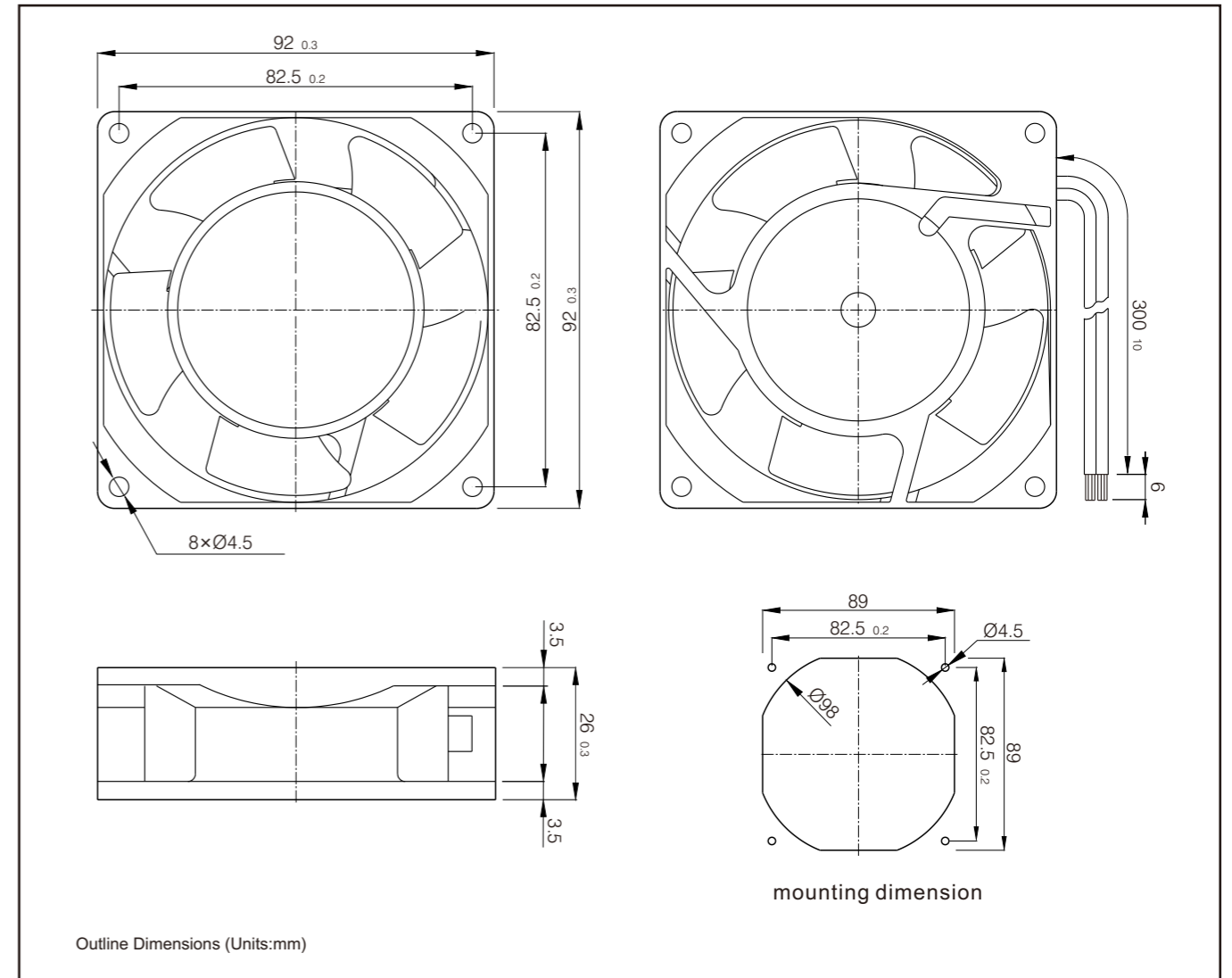


① Connection mode  
FJ9022AB

- ① **Frame**  
Aluminium alloy die-casting, surfaces is finished by black anti-corrosion treatment.
- ② **Impeller**  
Black plastic PBT UL94V-0
- ③ **Operation Temperature/Humidity Range:**  
(under unconcretionary state)  
-40°C ~ +65°C (temperature), 0% ~ 95% (himidity)
- ④ **Protection**  
Impedance Protected
- ⑤ **Withstand Voltage**  
AC 1,500V , 1 min at 0.5mA, 50/60 Hz
- ⑥ **Insulation System**  
Design according to IEC61858 Grade B,
- ⑦ **Protection Grade** IP34

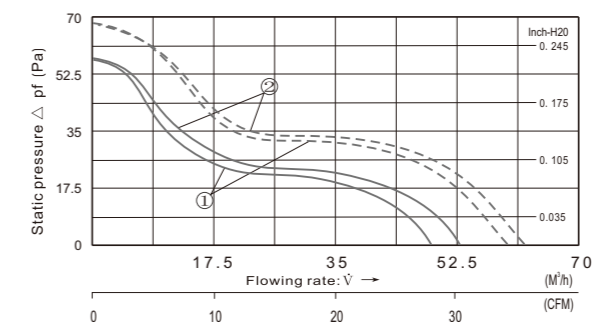
- ① PBT UL94V-0.
- ② /
- ③ -40 ~ +65 0%~ 95%
- ④ :
- ⑤ AC 1500V 0.5mA 50/60Hz 1
- ⑥ IEC61858 B
- ⑦ IP 34

# FJ9022AB



- Ⓐ Rotation direction of blades : CCW seen from the front impellers
- Ⓑ Power Connection: UL3385-22 Lead wire
- Ⓒ Unit weight: 260g

- Ⓐ UL3385-22
- Ⓑ 260g
- Ⓒ



## Parameters

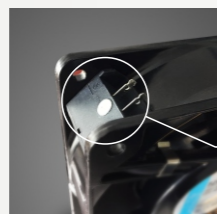
Type	Motor	Rated Voltage V	Frequency Hz	current (A)	Power (W) <sup>+10%</sup> <sub>-20%</sub>	Speed (min-1)	Max Air Flow		Static Pressure (Pa)	Noise (dB)	Curve	Capacitor (μF)
							CFM	m3/h				
FJ9021AS	M2S5151-SB	115	50	0.13	12	2250	29	49	57	32	①	----
			60	0.12	11	2750	36	61	65	34		
FJ9021AB	M2S5151-BB	115	50	0.13	12	2350	30	51	57	32	②	----
			60	0.12	11	2850	37	63	65	34		
FJ9022AS	M2E5151-SB	230	50	0.06	12	2250	29	49	57	32	①	----
			60	0.07	11	2750	36	61	65	34		
FJ9022AB	M2E5151-BB	230	50	0.06	12	2350	29	51	57	32	②	----
			60	0.07	11	2850	27	63	65	34		

# SHADED POLE MOTOR FAN

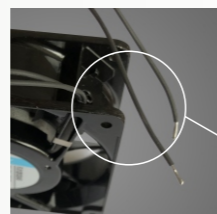
## 120mm



1 Connection mode  
FJ12032ABD



2 Connection mode  
FJ12032ABT

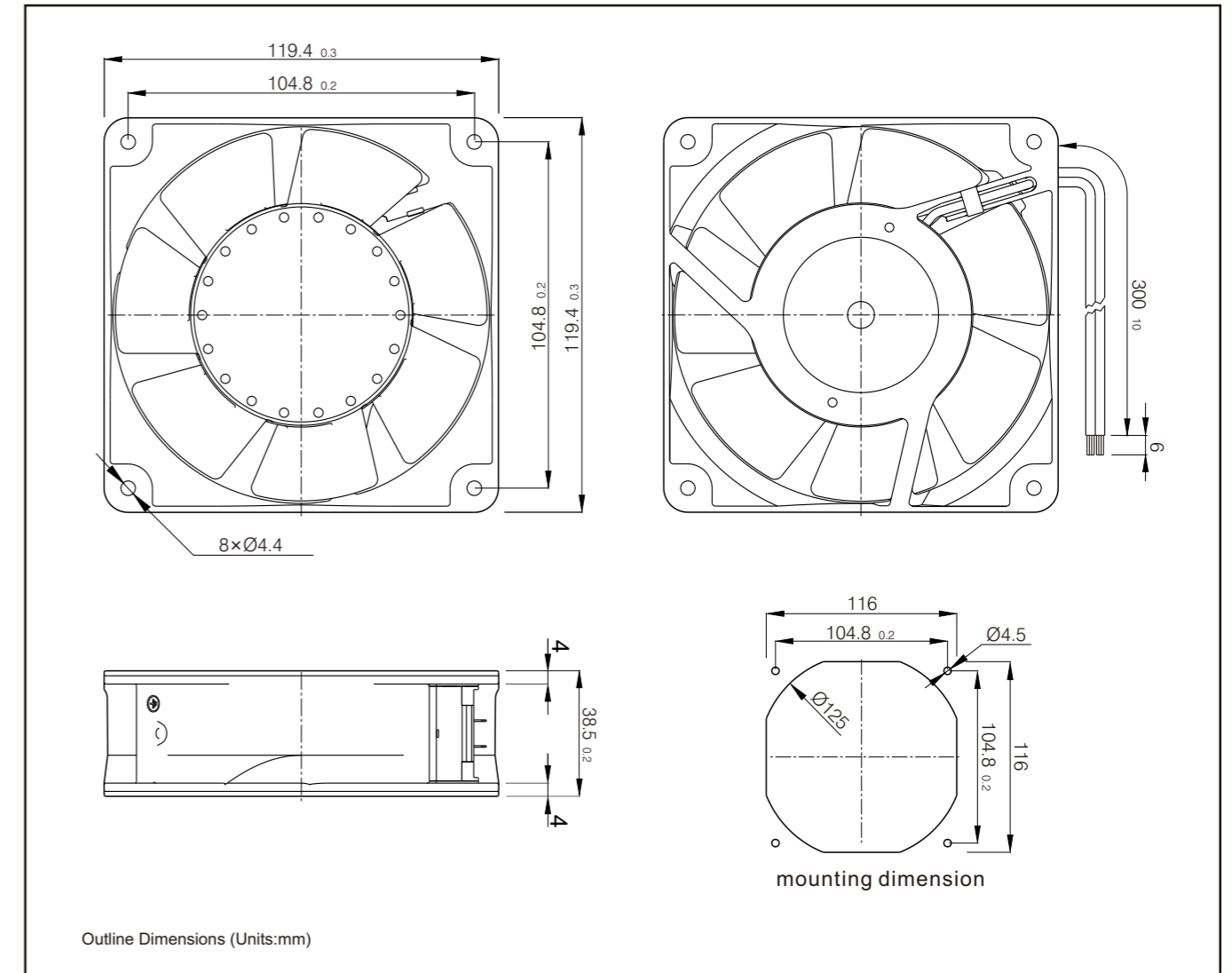


3 Connection mode  
FJ12032AB

- 1 Frame  
Aluminium alloy die-casting, surfaces is finished by black anti-corrosion treatment.
- 2 Impeller  
Black plastic PBT UL94V-0
- 3 Operation Temperature/Humidity Range:  
(under unconcretionary state)  
-30°C ~ +60°C (temperature), 0% ~ 95% (himidity)
- 4 Protection  
Impedance Protected
- 5 Withstand Voltage  
AC 1,800V , 1 min at 0.5mA, 50/60 Hz
- 6 Insulation System  
design according to IEC61858 Grade B,
- 7 Protection Grade IP34

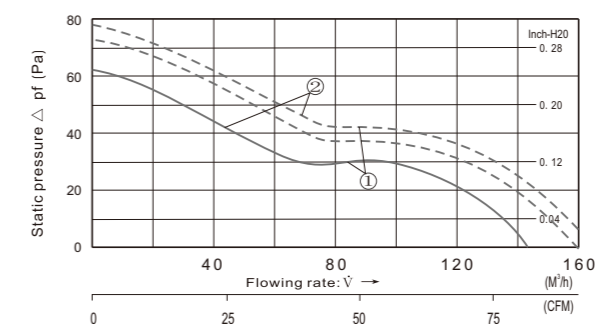
- 1 PBT UL94V-0.
- 2 /
- 3 -40 ~ +65 0% ~ 95%
- 4 :
- 5 AC 1800V 0.5mA 50/60Hz 1
- 6 IEC61858 B
- 7 IP 34

# FJ12032AB



- A Rotation direction of blades : CCW seen from the front impellers
- B Power Connection: UL3385-22 Lead wire, (terminal connction)
- C Unit weight: 510g

- A UL3385-22 ( )
- B UL3385-22 ( )
- C 510g



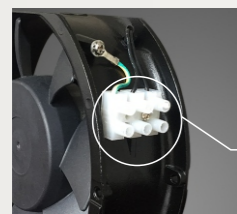
### Parameters

Type	Motor	Rated Voltage	Frequency	current	Power	Speed	Max Air Flow	Static Pressure	Noise	Curve	Capacitor
		V	Hz	(A)	(W) <sub>+10% -20%</sub>	(min-1)	CFM m <sup>3</sup> /h	(Pa)	(dB)		(μF)
FJ12031AS	M2S6301-SB	115	50	0.24	18	2500	85 145	51	34	②	----
FJ12031AB	M2S6301-AB	115	60	0.20	15	2800	100 170	63	37		----
FJ12032AS	M2E6301-SB	230	50	0.12	19	2500	85 145	51	34	①	----
FJ12032AB	M2E6301-AB	230	60	0.10	14	2700	95 160	63	37		----
FJ12033AB	M2D6301-AB	380	50	0.07	18	2500	85 145	51	34	②	----
			60	0.06	16	2800	100 170	63	37		----



# SHADED POLE MOTOR FAN

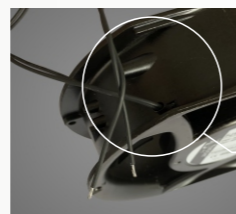
150mm



1 Connection mode  
FJ15052ABD



2 Connection mode  
FJ15052ABT

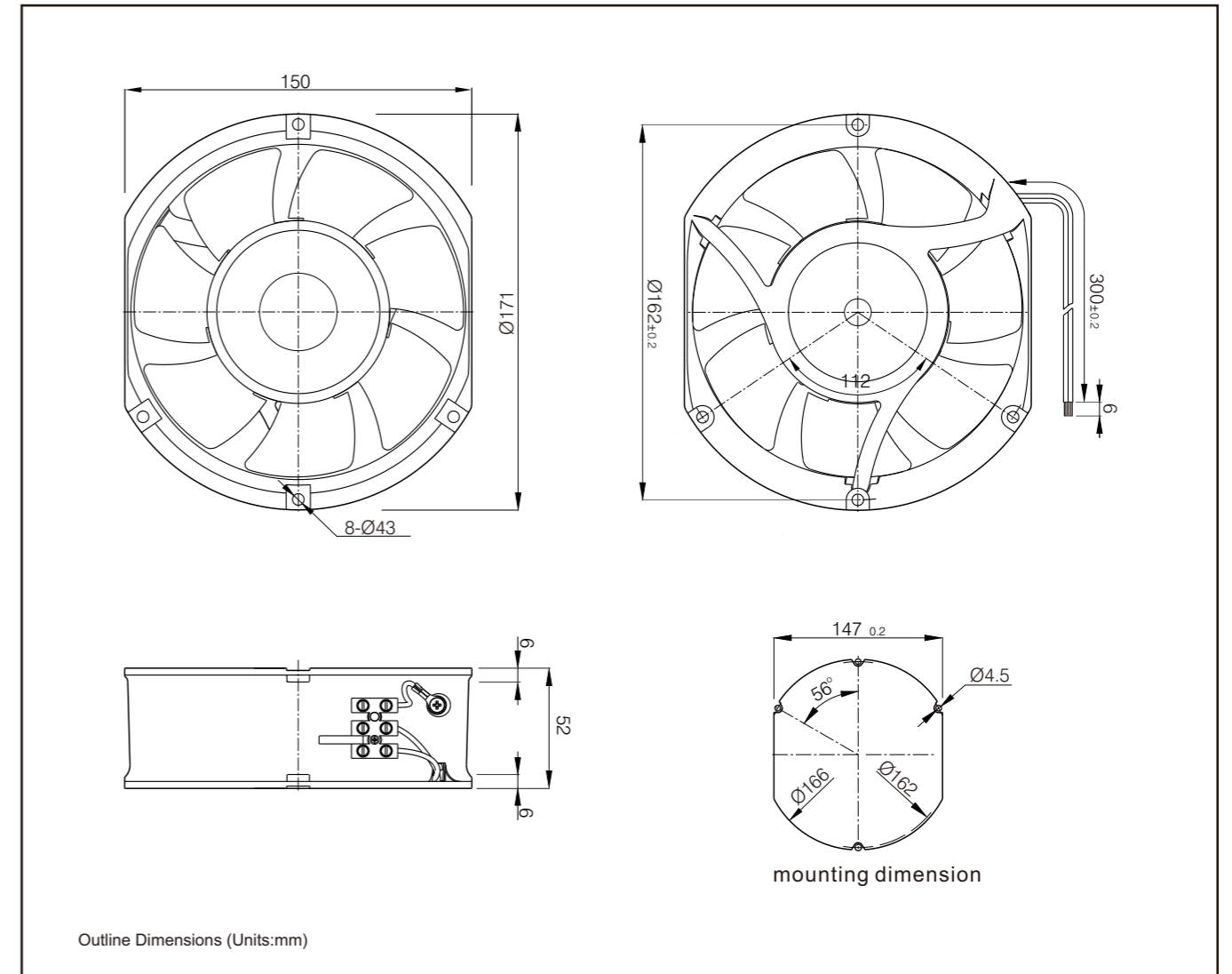


2 Connection mode  
FJ15052AB

- 1 **Frame**  
Aluminium alloy die-casting, surfaces is finished by black anti-corrosion treatment.
- 2 **Impeller**  
Black plastic PBT UL94V-0 (5 Blades/7 Blades)
- 3 **Operation Temperature/Humidity Range:**  
(under unconcretionary state)  
-40°C ~ +65°C (temperature), 0% ~ 95% (himidity)
- 4 **Protection**  
Impedance Protected
- 5 **Withstand Voltage**  
AC 1,800V, 1 min at 0.5mA, 50/60 Hz
- 6 **Insulation System**  
Design according to IEC61858 Grade B,
- 7 **Protection Grade** IP34

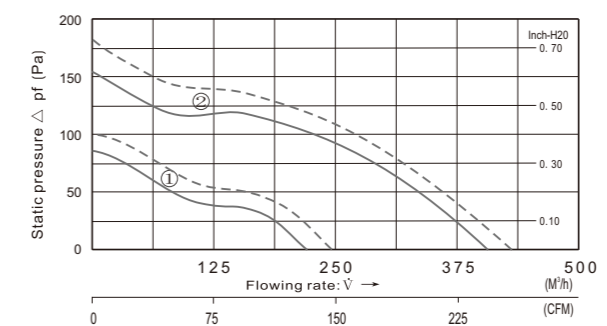
- 1 PBT UL94V-0. 5 /7
- 2 /
- 3 -40 ~ +65 0% ~ 95%
- 4 :
- 5 AC 1800V 0.5mA 50/60Hz 1
- 6 IEC61858 B
- 7 IP 34

# FJ15052AB



- Ⓐ Rotation direction of blades : CW seen from the front impellers
- Ⓑ Power Connection: UL3385-20 Lead wire, (terminal connection)
- Ⓒ Unit weight: 900g

- Ⓐ UL3385-20 ( )
- Ⓑ 900g
- Ⓒ 900g



## Parameters

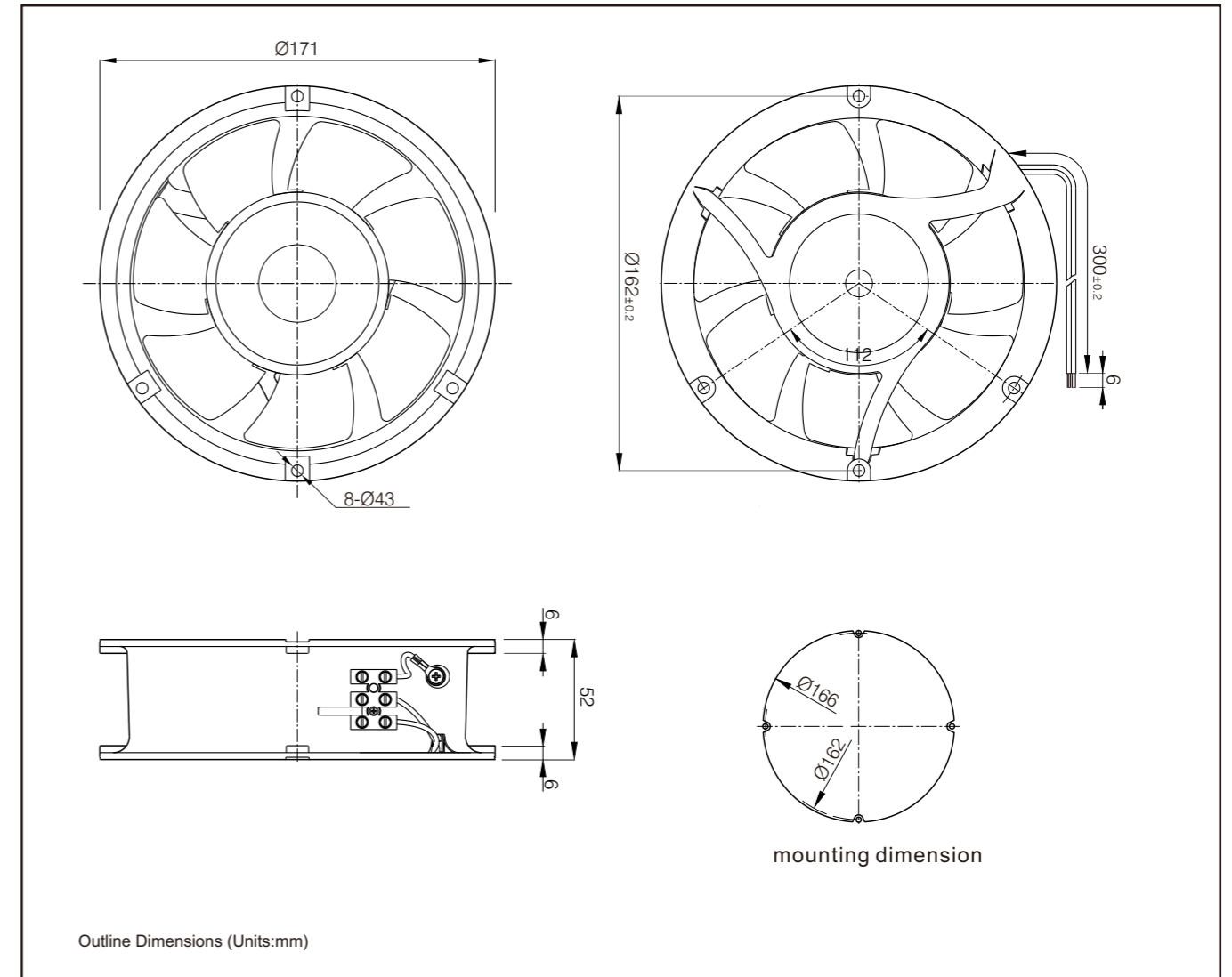
Type	Motor	Rated Voltage	Frequency	current	Power	Speed	Max Air Flow	Static Pressure	Noise	Curve	Remark
		V	Hz	(A)	(W) <sup>-10% -20%</sup>	(min-1)	CFM m3/h	(Pa)	(dB)		
FJ15051ABH	M2S7402-BB	115	50	0.34	25	2500	237 402	160	55	②	7 Blades
FJ15052ABH	M2E7402-BB	230	60	0.32	23	2700	246 417	180	57		
FJ15053ABH	M2D7402-BB	380	50	0.48	41	2600	237 402	160	55	①	5 Blades
FJ15051AB	M2S7401-BB	115	60	0.46	38	2700	246 417	180	57		
FJ15052AB	M2E7401-BB	230	50	0.19	26	2500	237 402	160	55		
			60	0.17	24	2700	246 417	180	57		
			50	0.34	25	2450	130 220	80	50		
			60	0.32	23	2650	142 240	100	52		
			50	0.19	26	2450	130 220	80	50		
			60	0.17	24	2650	142 240	100	52		

# SHADED POLE MOTOR FAN

172mm

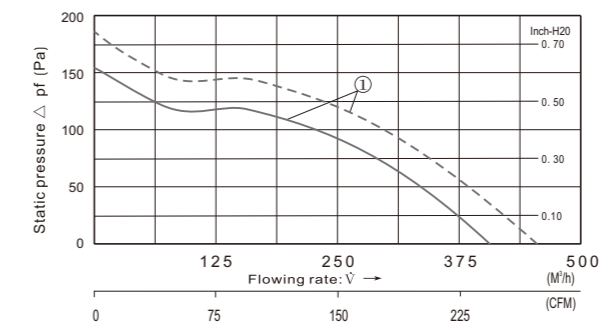


# FJ17052AB



- Ⓐ Rotation direction of blades : CW seen from the front impellers
- Ⓑ Power Connection: UL3385-20 Lead wire, (terminal connection)
- Ⓒ Unit weight: 990g

- Ⓐ UL3385-20 ( )
- Ⓑ
- Ⓒ 990g

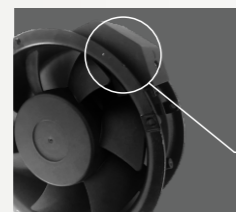


## Parameters

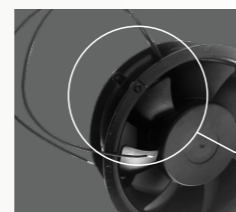
Type	Motor	Rated Voltage V	Frequency Hz	current (A)	Power (W) <small>+10% -20%</small>	Speed (min-1)	Max Air Flow		Static Pressure (Pa)	Noise (dB)	Curve	Remark
							CFM	m3/h				
FJ17051ABH	M2S7402-BB	115	50	0.48	41	2550	237	402	160	55	①	7 Blades
			60	0.46	38	2800	271	460	180	57		
FJ17052ABH	M2E7402-BB	230	50	0.26	41	2550	237	402	160	55		
			60	0.24	38	2800	271	460	180	57		



1 Connection mode  
FJ17052ABD



2 Connection mode  
FJ17052ABT

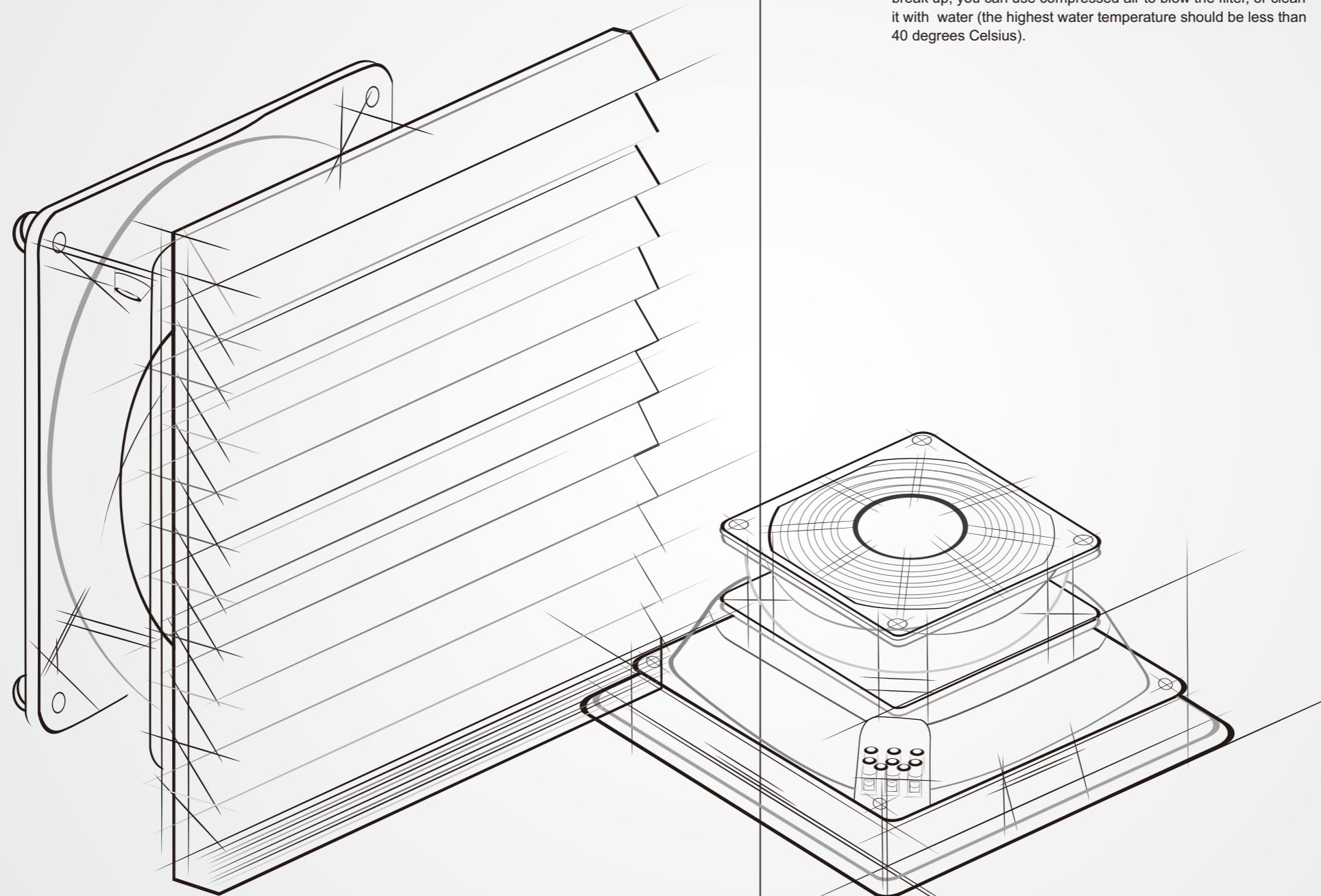


2 Connection mode  
FJ17052AB

- 1 **Frame**  
Aluminium alloy die-casting, surfaces is finished by black anti-corrosion treatment.
- 2 **Impeller**  
Black plastic PBT UL94V-0 (5 Blades/7 Blades)
- 3 **Operation Temperature/Humidity Range:**  
(under unconcretionary state)  
-40°C ~ +65°C (temperature), 0% ~ 95% (himidity)
- 4 **Protection**  
Impedance Protected
- 5 **Withstand Voltage**  
AC 1,800V , 1 min at 0.5mA, 50/60 Hz
- 6 **Insulation System**  
Design according to IEC61858 Grade B,
- 7 **Protection Grade** IP34

- 1
- 2 PBT UL94V-0. 5 /7
- 3 / -40 ~ +65 0% ~ 95%
- 4 :
- 5 AC 1800V 0.5mA 50/60Hz 1
- 6 IEC61858 B
- 7 IP 34

# Ventilation Systems Series

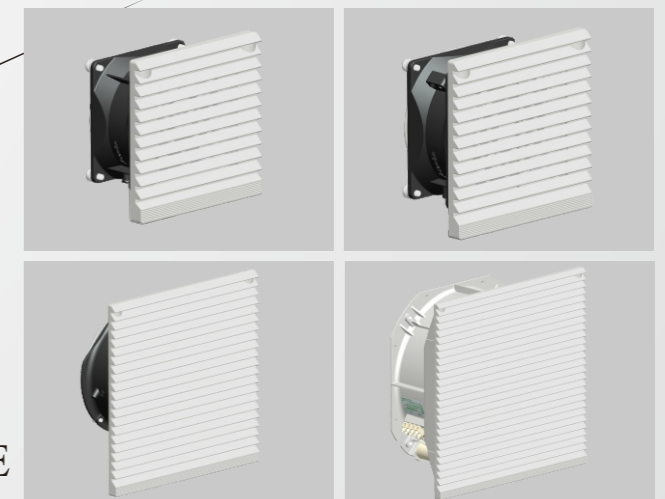


external rotor

BLACK PA NYLON ONE-TIME INJECTION MOULDING

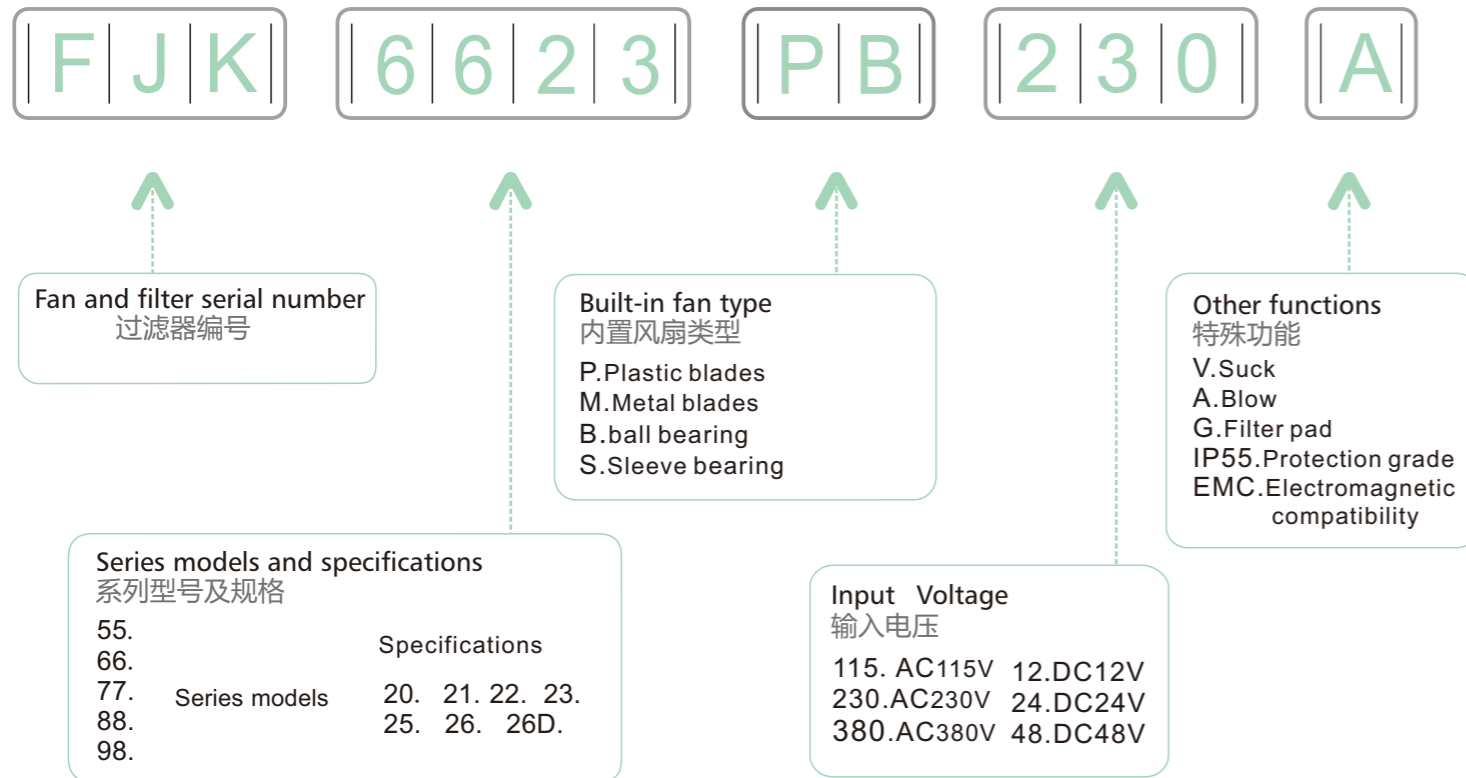
- FJK series ventilation system consists of grille, filter pad and fan.
- Frame is made up of heatproof and antifraining fire retardant ABS plastic, the fire resistance conforms to UL - 94 standard.
- High efficient external rotor axial fan ensures optimal filtering air flow rate.
- Non-woven fiber filter pad filtering efficiency up to 70% or more.
- The augment of sealing ring makes it IP55 protection grade.
- The user can simply reverse the fan installation to achieve suck or blow airflow.
- Maintenance: usually this kind of equipment does not need any maintenance. But after using in the polluted environment, non-woven fiber filter pad needs to be cleaned (internal).After break up, you can use compressed air to blow the filter, or clean it with water (the highest water temperature should be less than 40 degrees Celsius).

- FJK
- -94 Vo
- ABS
- UL
- 70%
- IP55
- 40





## Common Models description 常规型号说明



The combination of fan and filter can ventilate air and evacuate heat at the same time.  
风扇与 机柜设备空气过滤中同时疏散热量

➤ Easy and quick installation: just make a square hole and push the unit in, you can also fix it by screws.  
按装简单快速，只需开一正方形孔卡入即可，还可通过螺丝进一步固定

➤ We can customize your unconventional products.

Total solution

# Air filter Ventilation system overview



Wide range fan  
High efficient air flow , high protection class ,fast installation , easy connection of power supply

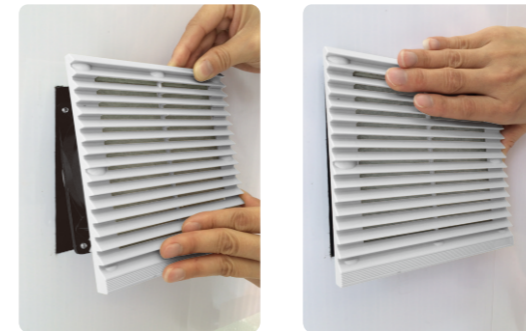


High efficient exhaust design , 50% increase average Ventilation shutter maximal optimized the air circulation

: 50%



Minimized air pressure wastage  
Improvement of fan installation distance to filter and perfect reliable design of air room is verified by study and test to be better aerodynamics and less air pressure loss.



Fast tool-less installation  
both insert installation and screw installation type are available



Easy maintain  
Fast filter pad replacement  
Fast ,easy and safe filter pad replacement , even during operation



Thermoplastic seal loop  
Polyurethane gasket assures long-term seal



Environment  
Recycling plastic and filter pad  
Fan motor according to RoHS

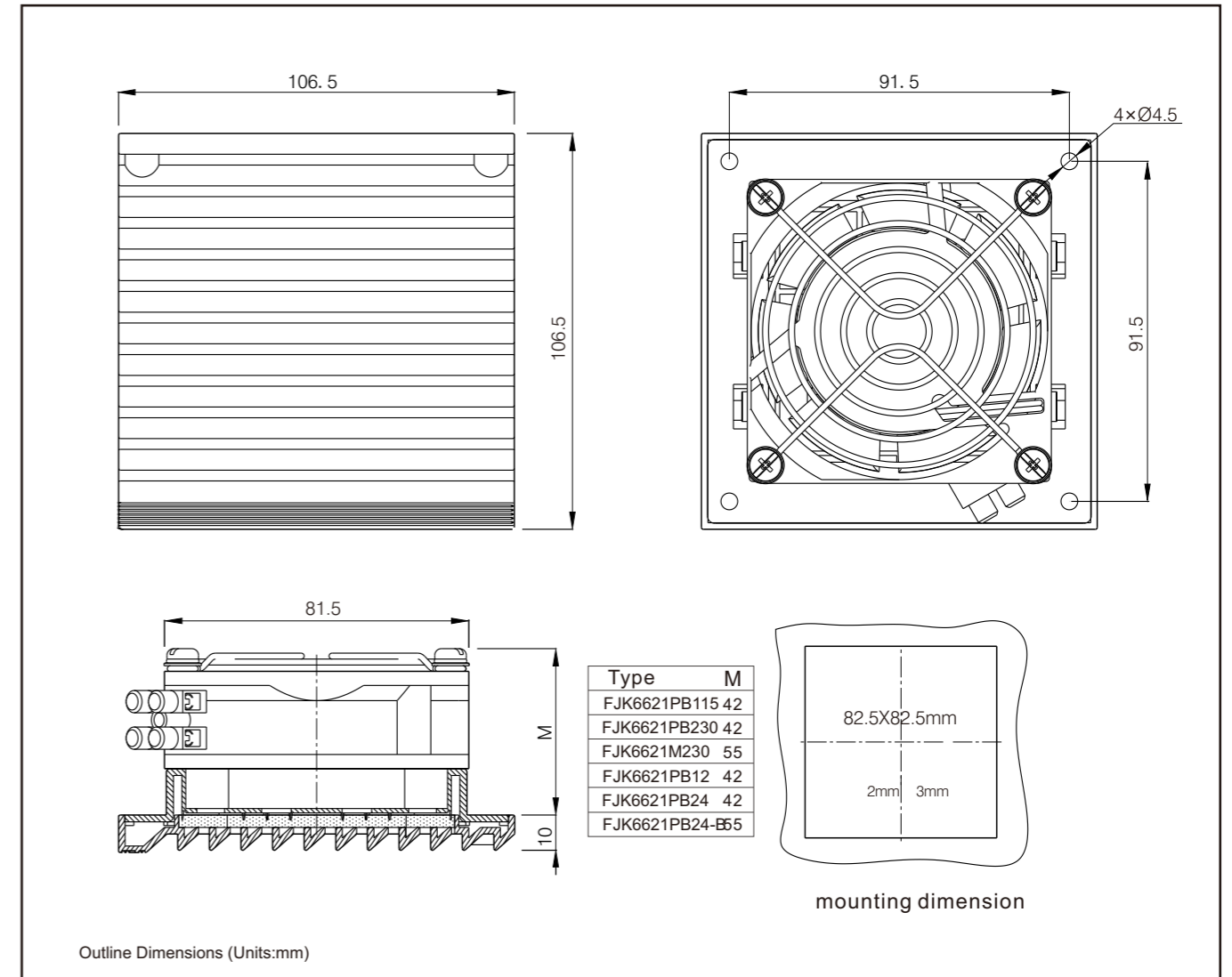
RoHS



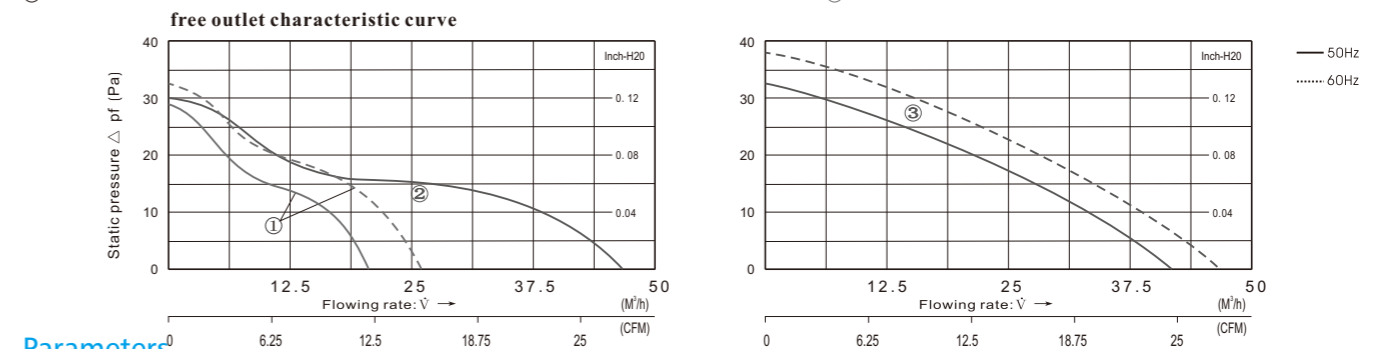
**Characteristics:**

- 1 It comprises of a axial fan, a protective housing on the front and rear surfaces and filter designed to retain dust particles.
- 2 The filters that equip the fans must be cleaned and replaced regularly.
- 3 It can produce all kinds of flame retardant V0 grade material and filter panel.
- 4 Material of filter pad: 100g/ M3 nylon fiber compound, Filtration efficiency up to 7 3%.
- 5 Operation Temperature/Humidity Range: (under unconcretionary state) -20°C ~ +65°C (temperature), 0% ~ 95% (himidity)
- 6 RAL 7035 grey is the standard offer with the possibility to change to RAL 7032 by means of a replacement grille.
- 7 Bear in mind the pressure losses caused by the outlet element (grille with filter, ventilation louvre or simple opening) when determining the fan flow rate.
- 8 Protection class: E N 60 5 29 IP 5 4 (not suitable for outdoor equipment).

1	V0		
2	100g/ M3		70 %
3	/		-20 ~+65
4			
5	0%~95%		
6	RAL7035	RAL7032	
7			
8	EN 60 5 29 IP 5 5		



- A installation: Snap-in and screw installation
- B Power connection: Terminal connection (wire connection)
- C With seal ring
- D Maximum weight: 324g



**Parameters**

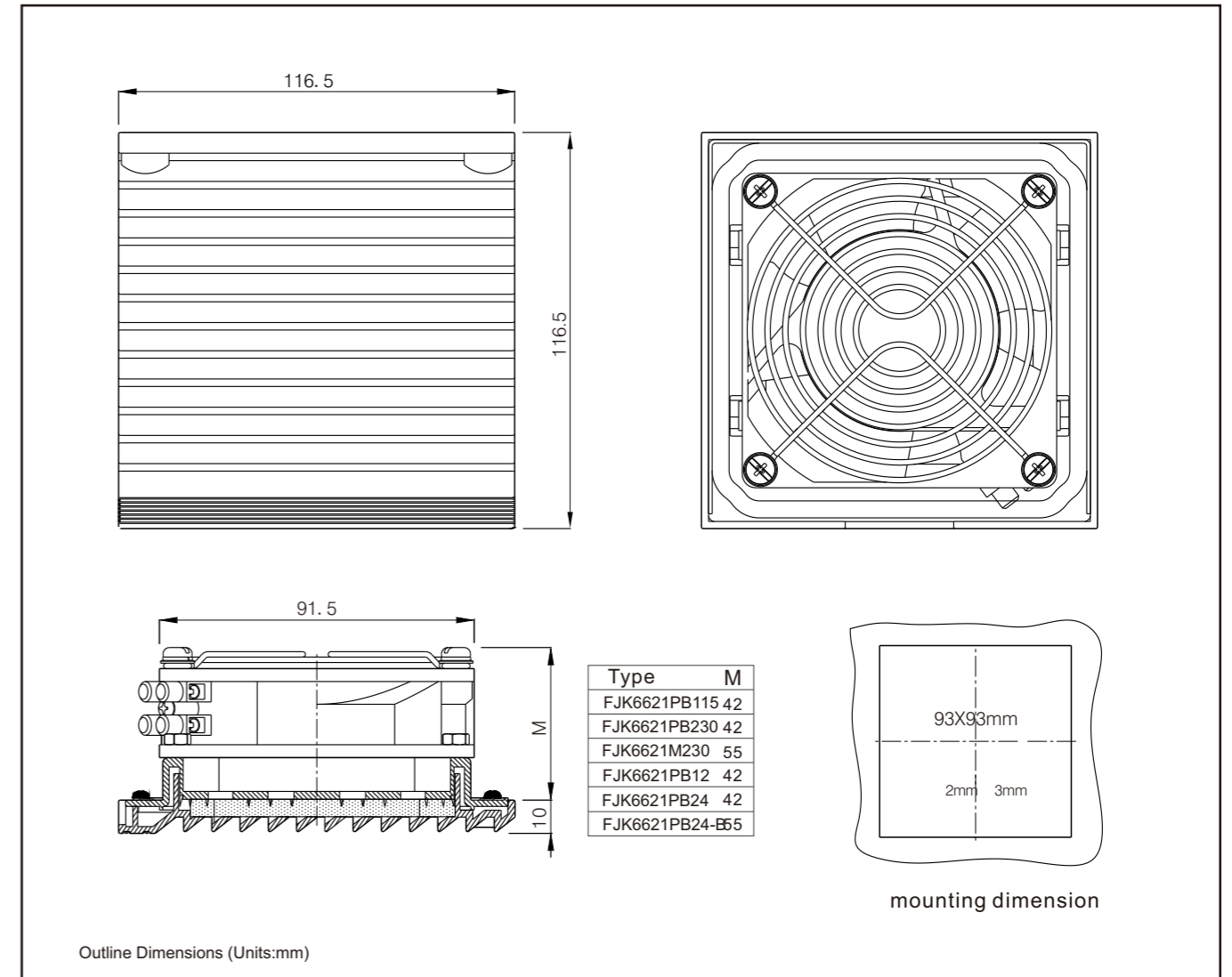
Type	Fan Model	Rated Voltage	Speed	Frequency	current	Power	Max Air Flow	Static Pressure	Noise Curve	external dimensions
		V	V	Hz	(A)	(W) <sub>10% 20%</sub>	m3/h	(Pa)	(dB)	(mm)
FJK6620PB115	FJ8021AB	115 AC	75...125	50	0.13	13	22	29	28	106.5x106.5x52
FJK6620PB230	FJ8022AB	230 AC	150...250	50	0.07	13	22	29	28	
FJK6620M230	FJ8032MAB	230 AC	150...250	50	0.09	12	40	33	32	
FJK6620PB12	FJ8025PB12	12 DC	7...14	60	0.07	10	46	38	32	
FJK6620PB24	FJ8025PB24	24 DC	12...28	60	0.18	2.08	46	30	32	
					0.10	2.52	46	30	32	



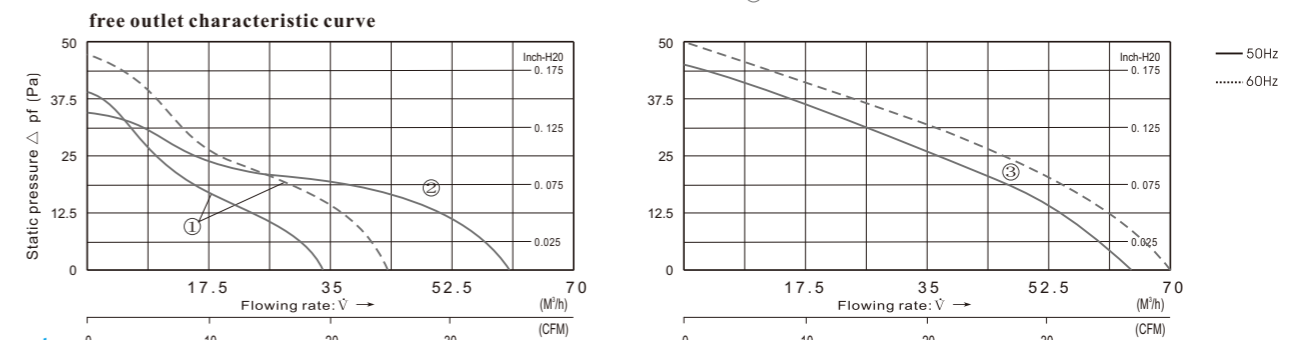
**Characteristics:**

- 1 It comprises of a axial fan, a protective housing on the front and rear surfaces and filter designed to retain dust particles.
- 2 The filters that equip the fans must be cleaned and replaced regularly.
- 3 It can produce all kinds of flame retardant V0 grade material and filter panel.
- 4 Material of filter pad: 100g/ M3 nylon fiber compound, Filtration efficiency up to 7 3%.
- 5 Operation Temperature/Humidity Range: (under unconcretionary state) -20°C ~ +65°C (temperature), 0% ~ 95% (himidity)
- 6 RAL 7035 grey is the standard offer with the possibility to change to RAL 7032 by means of a replacement grille.
- 7 Bear in mind the pressure losses caused by the outlet element (grille with filter, ventilation louvre or simple opening) when determining the fan flow rate.
- 8 Protection class: E N 60 5 29 IP 5 4 (not suitable for outdoor equipment).

1	V0		
2	100g/ M3		70 %
3	/		-20 ~+65
4			
5	0%~95%		
6	RAL7035	RAL7032	
7			
8	EN 60 5 29 IP 5 5		



- A installation: No need of screw, snap-in installation
- B Power connection: Terminal connection (wire connection)
- C With seal ring
- D Maximum weight: 370g



**Parameters**

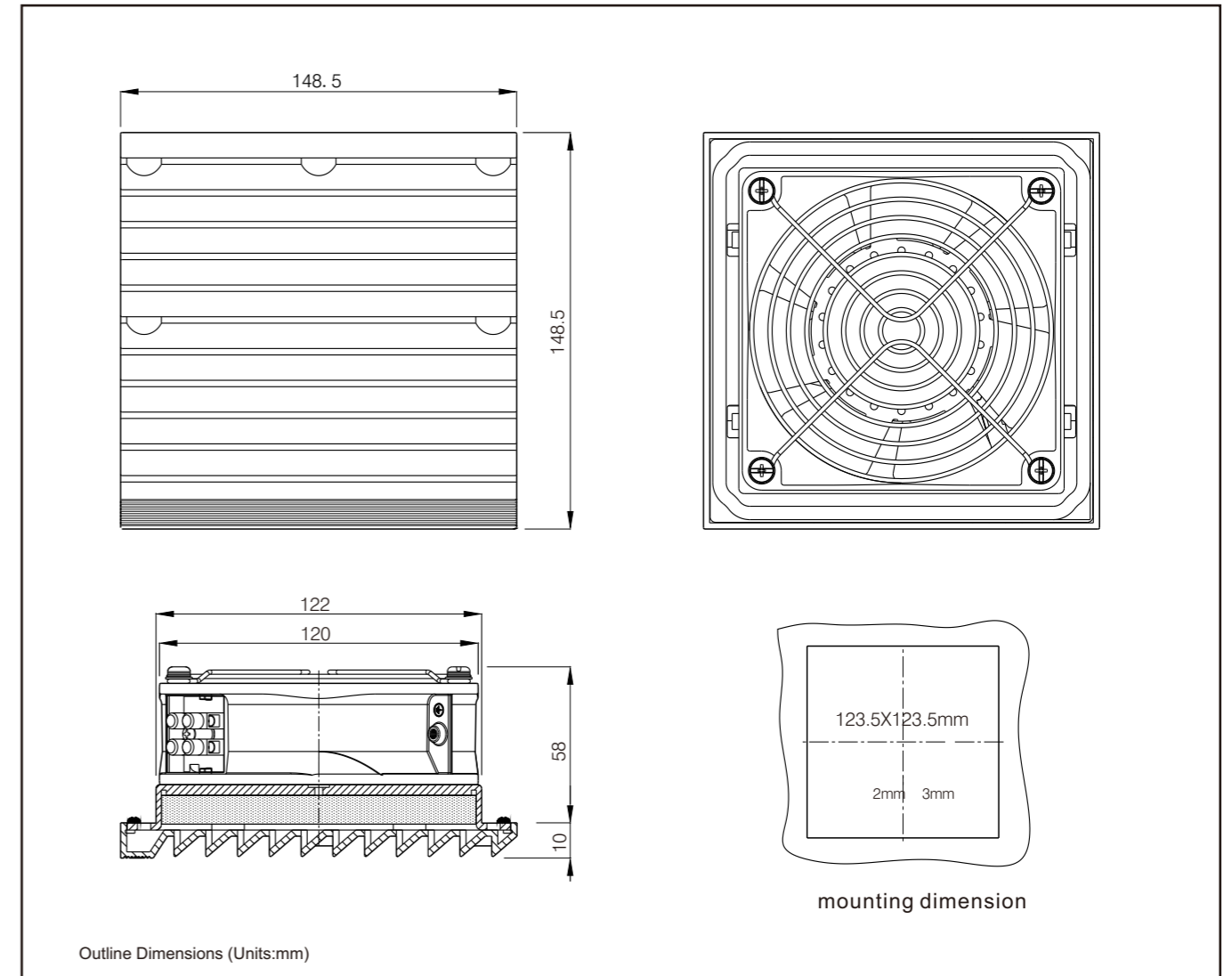
Type	Fan Model	Rated Voltage	Speed	Frequency	current	Power	Max Air Flow	Static Pressure	Noise Curve	external dimensions
		V	V	Hz	(A)	(W) <sub>10% 20%</sub>	m3/h	(Pa)	(dB)	(mm)
FJK6621PB115	FJ9021AB	115 AC	75...125	50	0.13	12	34	39	32	116.5x116.5x52
				60	0.12	11	42	45	34	
FJK6621PB230	FJ9022AB	230 AC	150...250	50	0.06	12	34	39	32	
				60	0.07	11	42	45	34	
FJK6621M230	FJ9032MAB	230AC	110...250	50	0.08	13	65	45	36	
				60	0.07	11	70	50	36	
FJK6621PB12	FJ9025PB12	12 DC	6...13.8		0.22	2.64	70	45	36	①
FJK6621PB24	FJ9025PB24	24 DC	10...27.5		0.12	2.88	70	45	36	②



**Characteristics:**

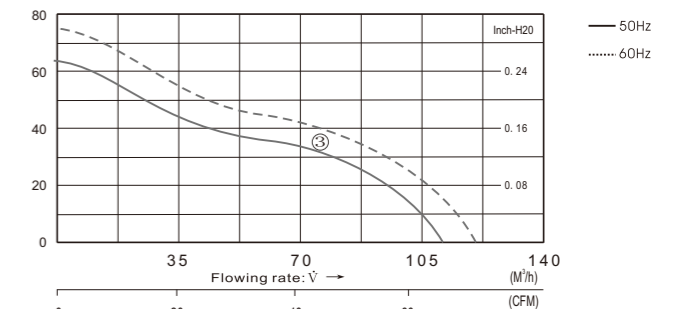
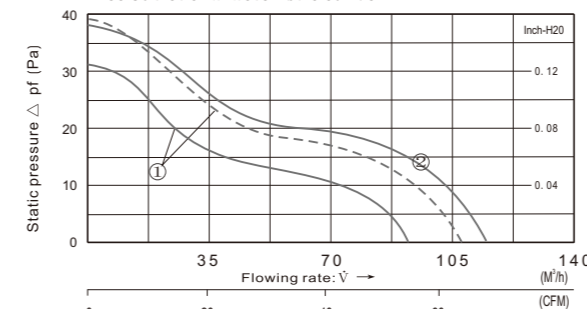
- 1 It comprises of a axial fan, a protective housing on the front and rear surfaces and filter designed to retain dust particles.
- 2 The filters that equip the fans must be cleaned and replaced regularly.
- 3 It can produce all kinds of flame retardant V0 grade material and filter panel.
- 4 Material of filter pad: 100g/ M3 nylon fiber compound, Filtration efficiency up to 7 3%.
- 5 Operation Temperature/Humidity Range: (under unconcretionary state) -20°C ~ +65°C (temperature), 0% ~ 95% (himidity)
- 6 RAL 7035 grey is the standard offer with the possibility to change to RAL 7032 by means of a replacement grille.
- 7 Bear in mind the pressure losses caused by the outlet element (grille with filter, ventilation louvre or simple opening) when determining the fan flow rate.
- 8 Protection class: E N 60 5 29 IP 5 4 (not suitable for outdoor equipment).

1	V0		
2	100g/ M3		70 %
3	/		-20 ~+65
4			0%~95%
5			
6	RAL7035	RAL7032	
7			
8	EN 60 5 29 IP 5 5		



- A installation: No need of screw, snap-in installation
- B Power connection: Terminal connection (wire connection)
- C With seal ring
- D Maximum weight: 637g

**free outlet characteristic curve**



**Parameters**

Type	Fan Model	Rated Voltage	Speed	Frequency	current	Power	Max Air Flow	Static Pressure	Noise Curve	external dimensions
		V	V	Hz	(A)	(W) <sub>10% 20%</sub>	m3/h	(Pa)	(dB)	(mm)
FJK6622PB115	FJ12031AB	115 AC	75...125	50	0.24	18	92	32	32	148.5x148.5x68.5
				60	0.20	15	107	39	34	
FJK6622PB230	FJ12032AB	230 AC	150...250	50	0.12	19	92	32	32	
				60	0.10	14	107	39	34	
FJK6622M230	FJ12038MAB	230 AC	110...250	50	0.12	18	115	65	36	
				60	0.10	16	132	75	37	
FJK6622PB12	FJ12038PB12	12 DC	6...13.8		0.55	6.60	113	38	35	
FJK6622PB24	FJ12038PB24	24 DC	10...27.5		0.31	7.44	113	38	35	



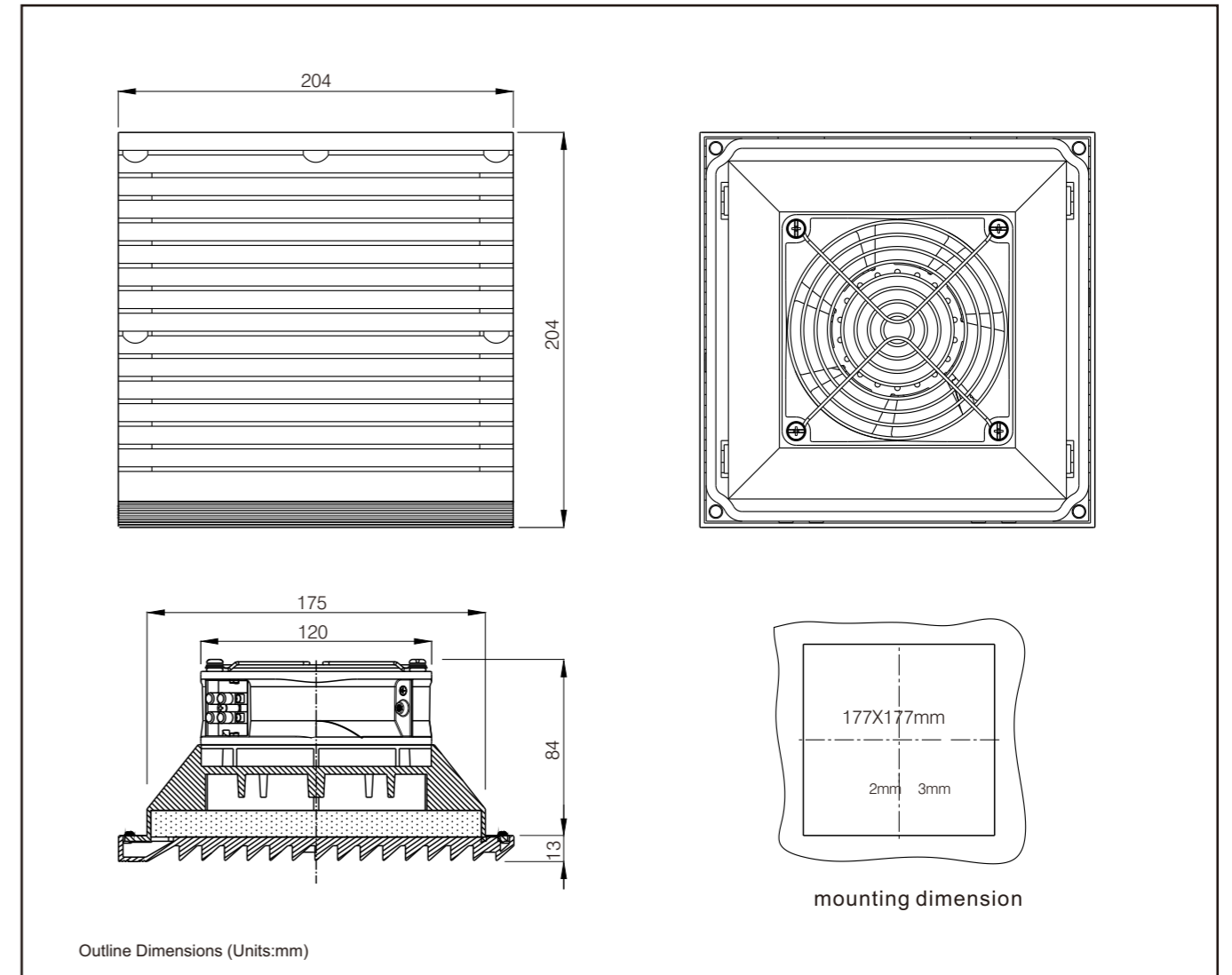


**Characteristics:**

- 1 It comprises of a axial fan, a protective housing on the front and rear surfaces and filter designed to retain dust particles.
- 2 The filters that equip the fans must be cleaned and replaced regularly.
- 3 It can produce all kinds of flame retardant V0 grade material and filter panel.
- 4 Material of filter pad: 100g/ M3 nylon fiber compound, Filtration efficiency up to 73%.
- 5 Operation Temperature/Humidity Range: (under unconcretionary state) -20°C ~ +70°C (temperature), 0% ~ 95% (himidity)
- 6 RAL 7035 grey is the standard offer with the possibility to change to RAL 7032 by means of a replacement grille.
- 7 Bear in mind the pressure losses caused by the outlet element (grille with filter, ventilation louvre or simple opening) when determining the fan flow rate.
- 8 Protection class: E N 60 5 29 IP 5 4 (not suitable for outdoor equipment).

- 1
- 2
- 3
- 4
- 5
- 6
- 7
- 8

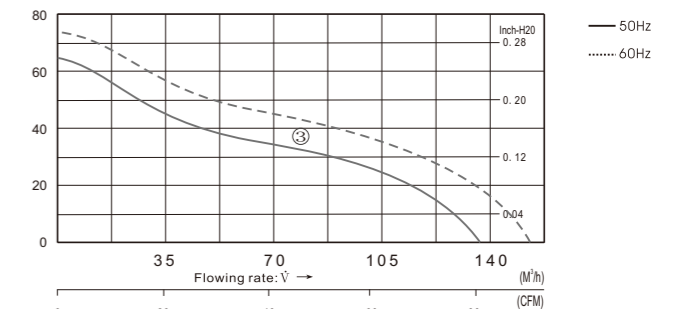
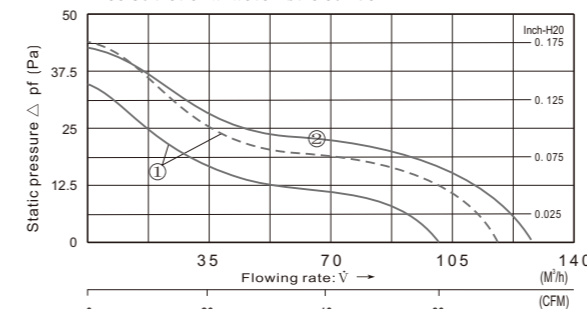
V0  
100g/ M3 70 %  
/  
0%~95%  
RAL7035 RAL7032  
E N 60 5 29 IP 5 5



- A installation: No need of screw, snap-in installation
- B Power connection: Terminal connection (wire connection)
- C With seal ring
- D Maximum weight: 783g

A  
B  
C  
D  
783g

**free outlet characteristic curve**



**Parameters**

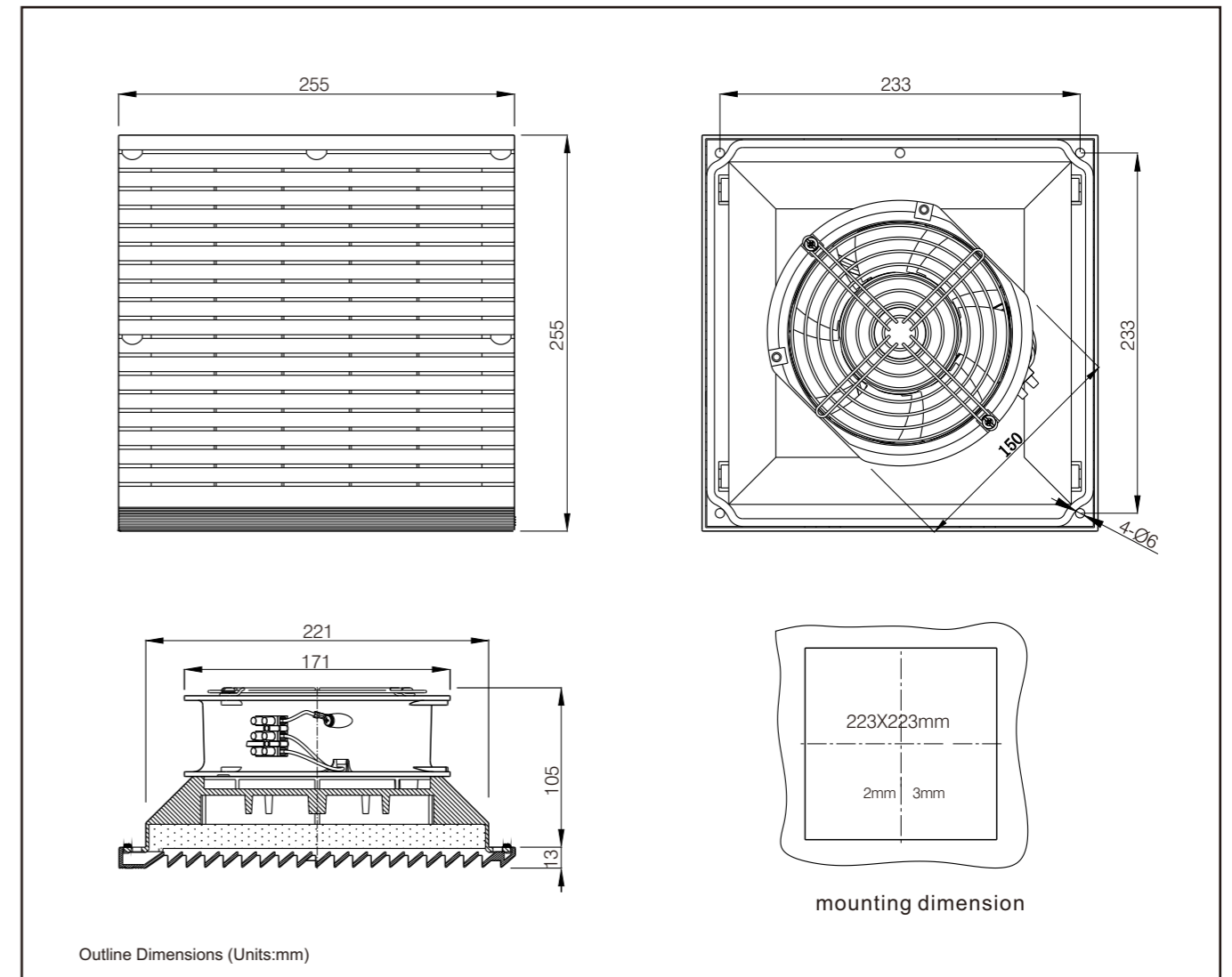
Type	Fan Model	Rated Voltage	Speed	Frequency	current	Power	Max Air Flow	Static Pressure	Noise Curve	external dimensions
		V	V	Hz	(A)	(W) <sub>10% 20%</sub>	m3/h	(Pa)	(dB)	(mm)
FJK6623PB115	FJ12031AB	115 AC	75...125	50	0.24	18	102	35	32	204x204x105
FJK6623PB230	FJ12032AB	230 AC	150...250	50	0.12	19	102	35	32	
FJK6623M230	FJ12032MAB	230 AC	110...250	60	0.10	14	119	44	35	
FJK6623PB12	FJ12038PB12	12 DC	6...13.8	50	0.12	18	135	65	36	
FJK6623PB24	FJ12038PB24	24 DC	10...27.5	60	0.10	16	150	75	38	
					0.55	6.60	126	42	36	
					0.31	7.44	126	42	36	



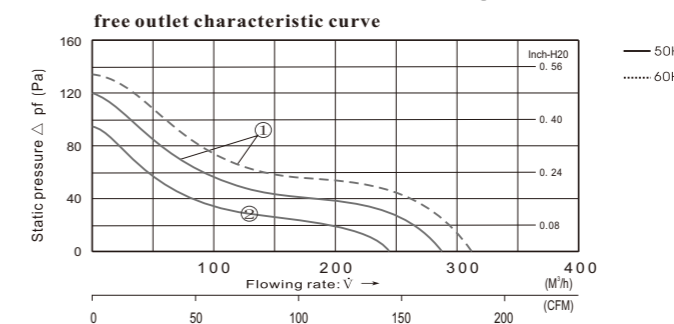
**Characteristics:**

- 1 It comprises of a axial fan, a protective housing on the front and rear surfaces and filter designed to retain dust particles.
- 2 The filters that equip the fans must be cleaned and replaced regularly.
- 3 It can produce all kinds of flame retardant V0 grade material and filter panel.
- 4 Material of filter pad: 100g/ M3 nylon fiber compound, Filtration efficiency up to 73%.
- 5 Operation Temperature/Humidity Range: (under unconcretionary state) -20°C ~ +70°C (temperature), 0% ~ 95% (himidity)
- 6 RAL 7035 grey is the standard offer with the possibility to change to RAL 7032 by means of a replacement grille.
- 7 Bear in mind the pressure losses caused by the outlet element (grille with filter, ventilation louvre or simple opening) when determining the fan flow rate.
- 8 Protection class: E N 60 5 29 IP 5 4 (not suitable for outdoor equipment).

1	V0		
2	100g/ M3		70 %
3	/		-20 ~+70
4			0%~95%
5			
6	RAL7035	RAL7032	
7			
8	EN 60 5 29 IP 5 5		



- A installation: Snap-in and screw installation
- B Power connection: Terminal connection
- C With seal ring
- D Maximum weight: 1.45kg



**Parameters**

Type	Fan Model	Rated Voltage	Speed	Frequency	current	Power	Max Air Flow	Static Pressure	Noise	Curve	external dimensions (mm)
		V	V	Hz	(A)	(W) <sub>10% 20%</sub>	m3/h	(Pa)	(dB)		
FJK6625PB115	FJ15051ABH	115 AC	75...125	50	0.48	41	280	120	48	①	255x255x117
FJK6625PB230	FJ15052ABH	230 AC	150...250	60	0.46	38	320	135	50		
FJK6625PB12	FJ15050PB12	12 DC	8...15	50	0.26	41	280	120	48	②	
FJK6625PB24	FJ15050PB24	24 DC	12...28	60	0.24	38	320	135	50		
FJK6625PB48	FJ15050PB48	48 DC	28...60		1.05	12	245	95	48		
					0.50	12	245	95	48		

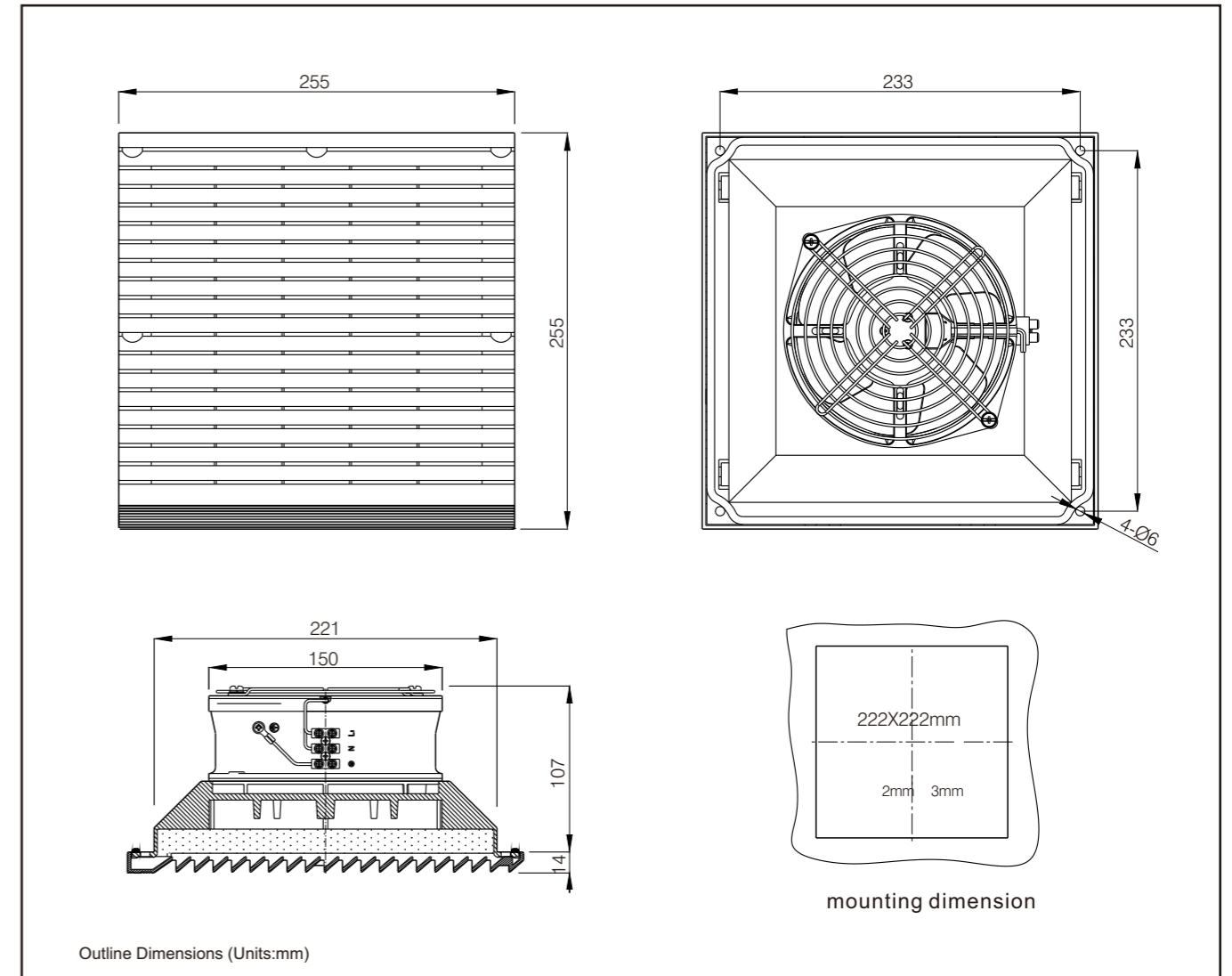


1 Black Shell

**Characteristics:**

- 1 It comprises of a axial fan, a protective housing on the front and rear surfaces and filter designed to retain dust particles.
- 2 The filters that equip the fans must be cleaned and replaced regularly.
- 3 It can produce all kinds of flame retardant V0 grade material and filter panel.
- 4 Material of filter pad: 100g/ M3 nylon fiber compound, Filtration efficiency up to 7 3%.
- 5 Operation Temperature/Humidity Range: (under unconcretionary state) -20°C ~ +70°C (temperature), 0% ~ 95% (himidity)
- 6 RAL 7035 grey is the standard offer with the possibility to change to RAL 7032 by means of a replacement grille.
- 7 Bear in mind the pressure losses caused by the outlet element (grille with filter, ventilation louvre or simple opening) when determining the fan flow rate.
- 8 Protection class: E N 60 5 29 I P 5 4 (not suitable for outdoor equipment).

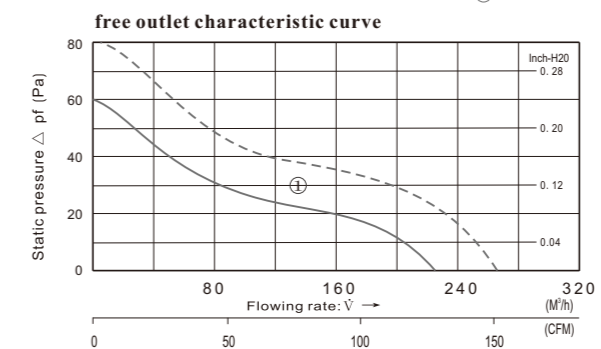
1	V0		
2	100g/ M3		70 %
3	/		-20 ~+70
4	0%~95%		
5	RAL7035	RAL7032	
6			
7			
8	EN 60 5 29 I P 5 4		



Outline Dimensions (Units:mm)

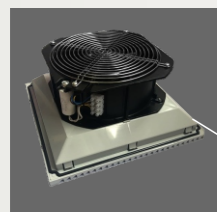
- A installation: Snap-in and screw installation
- B Power connection: Terminal connection
- C With seal ring
- D Maximum weight: 1.45kg

- A
- B
- C
- D



**Parameters**

Type	Fan Model	Rated Voltage	Speed	Frequency	current	Power	Max Air Flow	Static Pressure	Noise	Curve	external dimensions (mm)
		V	V	Hz	(A)	(W) <sub>10% 20%</sub>	m <sup>3</sup> /h	(Pa)	(dB)		
FJK6625M115	FJ16051MAB	115 AC	75...125	50	0.52	37	224	60	46	①	255x255x121
				60	0.43	34	266	85	50		
FJK6625M230	FJ16052MAB	230 AC	150...250	50	0.25	37	224	60	46		
				60	0.20	33	266	85	50		
FJK6625M380	FJ16053MAB	380 AC	220...415	50	0.15	39	224	60	46		
				60	0.12	34	266	85	50		

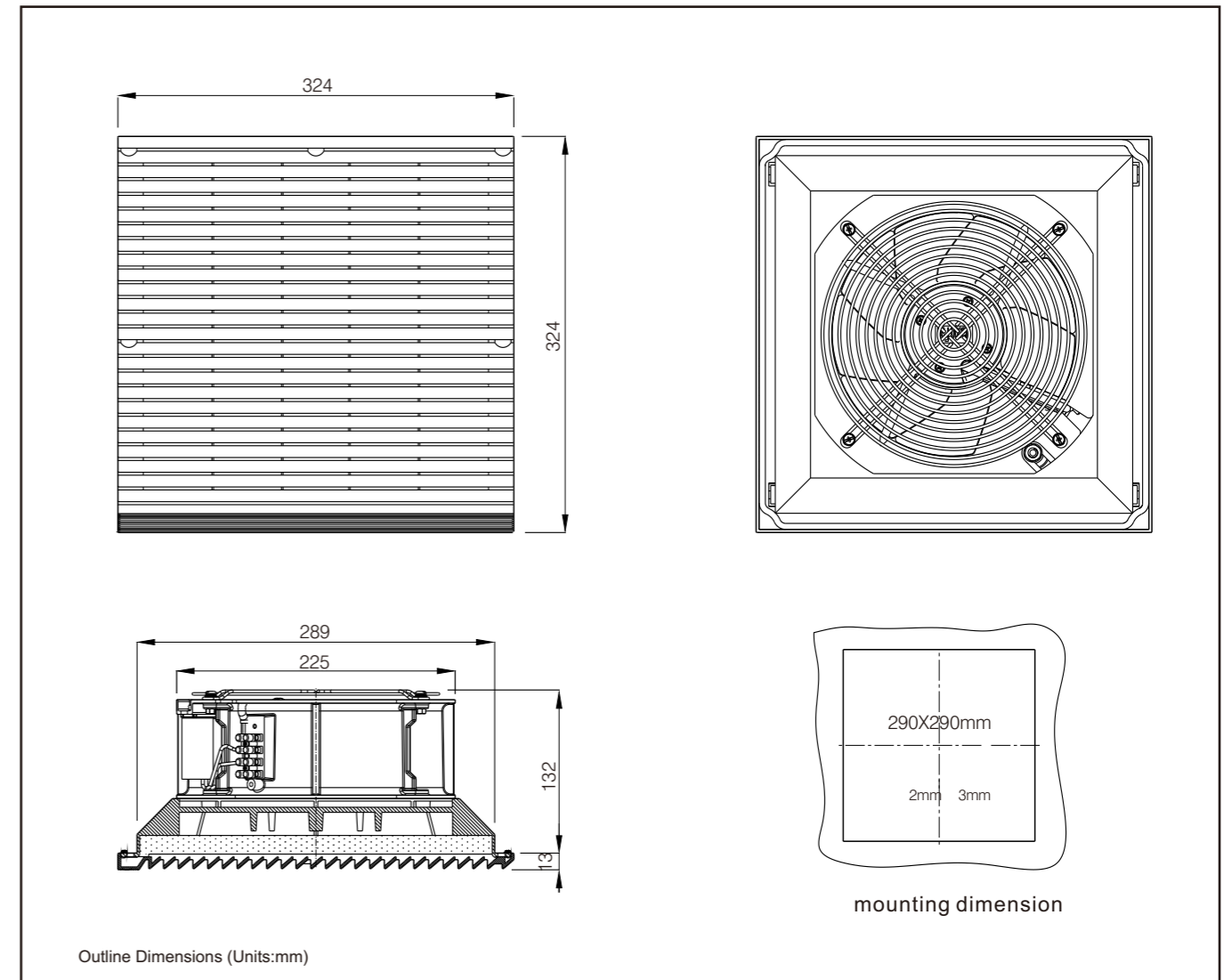


1 Black Shell

**Characteristics:**

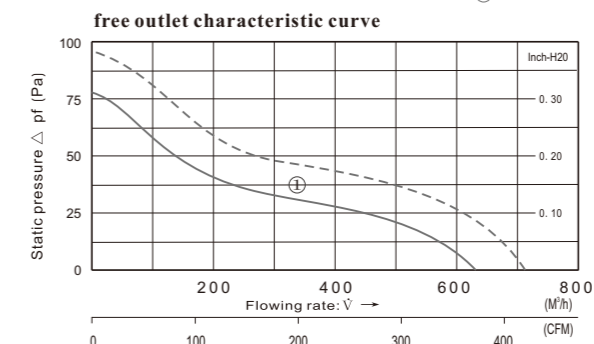
- 1 It comprises of a axial fan, a protective housing on the front and rear surfaces and filter designed to retain dust particles.
- 2 The filters that equip the fans must be cleaned and replaced regularly.
- 3 It can produce all kinds of flame retardant V0 grade material and filter panel.
- 4 Material of filter pad: 100g/ M3 nylon fiber compound, Filtration efficiency up to 73%.
- 5 Operation Temperature/Humidity Range: (under unconcretionary state) -20°C ~ +70°C (temperature), 0% ~ 95% (himidity)
- 6 RAL 7035 grey is the standard offer with the possibility to change to RAL 7032 by means of a replacement grille.
- 7 Bear in mind the pressure losses caused by the outlet element (grille with filter, ventilation louvre or simple opening) when determining the fan flow rate.
- 8 Protection class: E N 60 5 29 I P 5 4 (not suitable for outdoor equipment).

1			
2			
3	V0		70 %
4	100g/ M3		
5	/		-20 ~+70
6	0%~95%	RAL7035	RAL7032
7			
8			EN 60 5 29 I P 5 4



- A installation: No need of screw, snap-in installation
- B Power connection: Terminal connection
- C With seal ring
- D Maximum weight: 2.97kg

- A
- B
- C
- D 2.97kg



**Parameters**

Type	Fan Model	Rated Voltage	Speed	Frequency	current	Power	Max Air Flow	Static Pressure	Noise Curve	external dimensions (mm)
		V	V	Hz	(A)	(W) <sub>10% 20%</sub>	m3/h	(Pa)	(dB)	
FJK6626M115	FJ22081MAB	115 AC	75...125	50	0.60	65	637	78	55	① 324x322x145
				60	0.64	75	707	90	57	
FJK6626M230	FJ22082MAB	230 AC	150...250	50	0.30	65	637	78	55	
				60	0.34	77	707	90	57	
FJK6626M380	FJ22083MAB	380 AC	220...415	50	0.18	64	637	78	55	
				60	0.20	78	707	90	57	

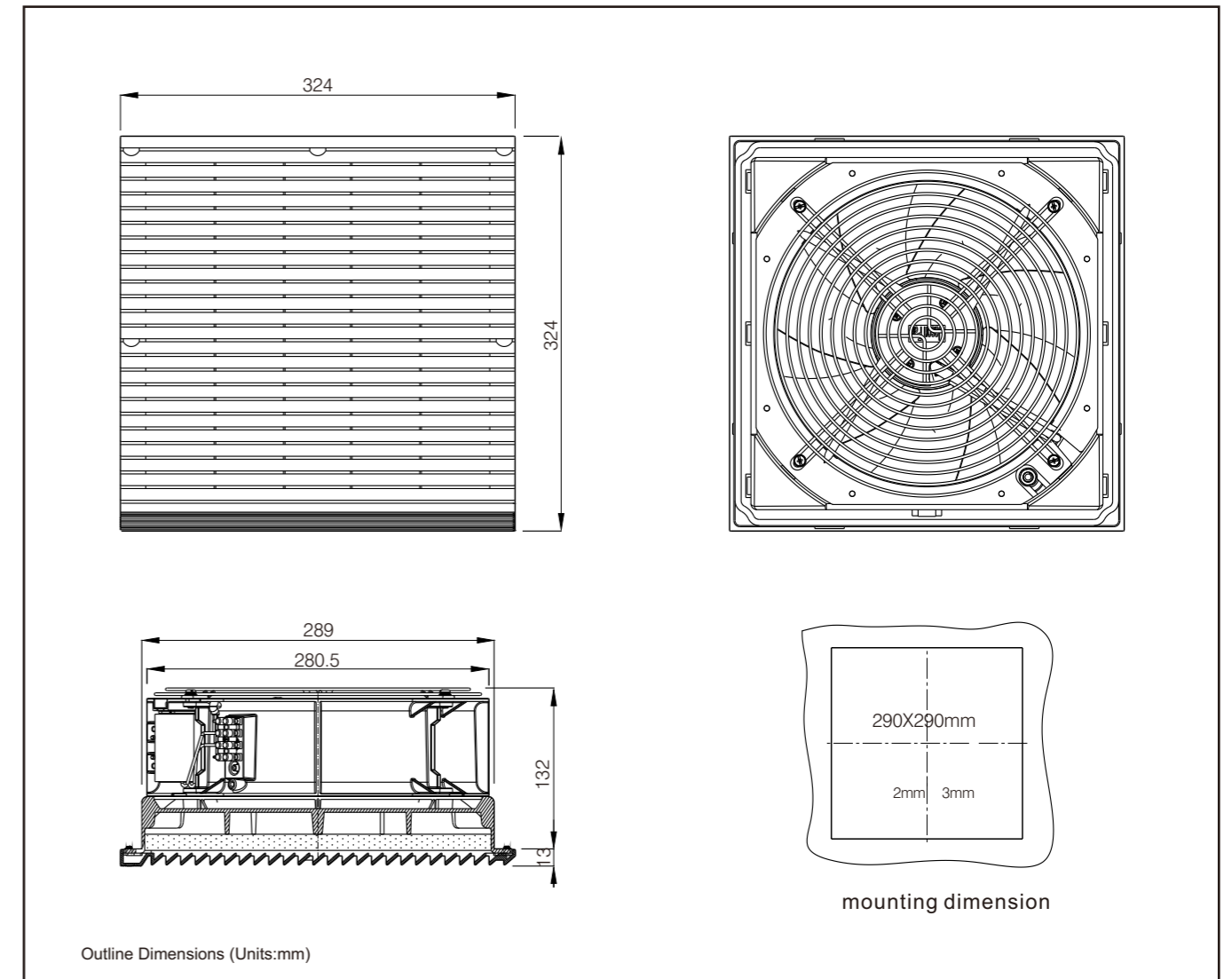


1 Black Shell

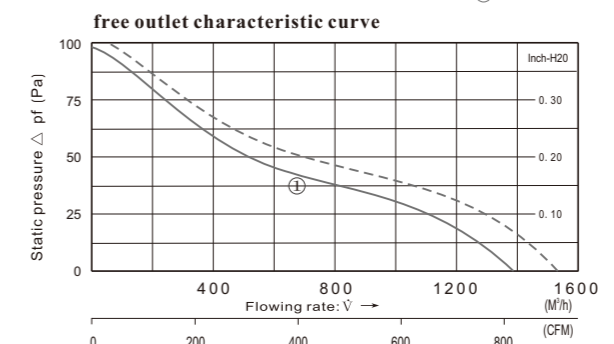
**Characteristics:**

- 1 It comprises of a axial fan, a protective housing on the front and rear surfaces and filter designed to retain dust particles.
- 2 The filters that equip the fans must be cleaned and replaced regularly.
- 3 It can produce all kinds of flame retardant V0 grade material and filter panel.
- 4 Material of filter pad: 100g/ M3 nylon fiber compound, Filtration efficiency up to 7 3%.
- 5 Operation Temperature/Humidity Range: (under unconcretionary state) -20°C ~ +70°C (temperature), 0% ~ 95% (himidity)
- 6 RAL 7035 grey is the standard offer with the possibility to change to RAL 7032 by means of a replacement grille.
- 7 Bear in mind the pressure losses caused by the outlet element (grille with filter, ventilation louvre or simple opening) when determining the fan flow rate.
- 8 Protection class: E N 60 5 29 I P 5 4 (not suitable for outdoor equipment).

1	V0		70 %
2	100g/ M3		
3	/	-20	~+70
4	0%~95%		
5	RAL7035	RAL7032	
6			
7			
8	EN 60 5 29 I P 5 4		

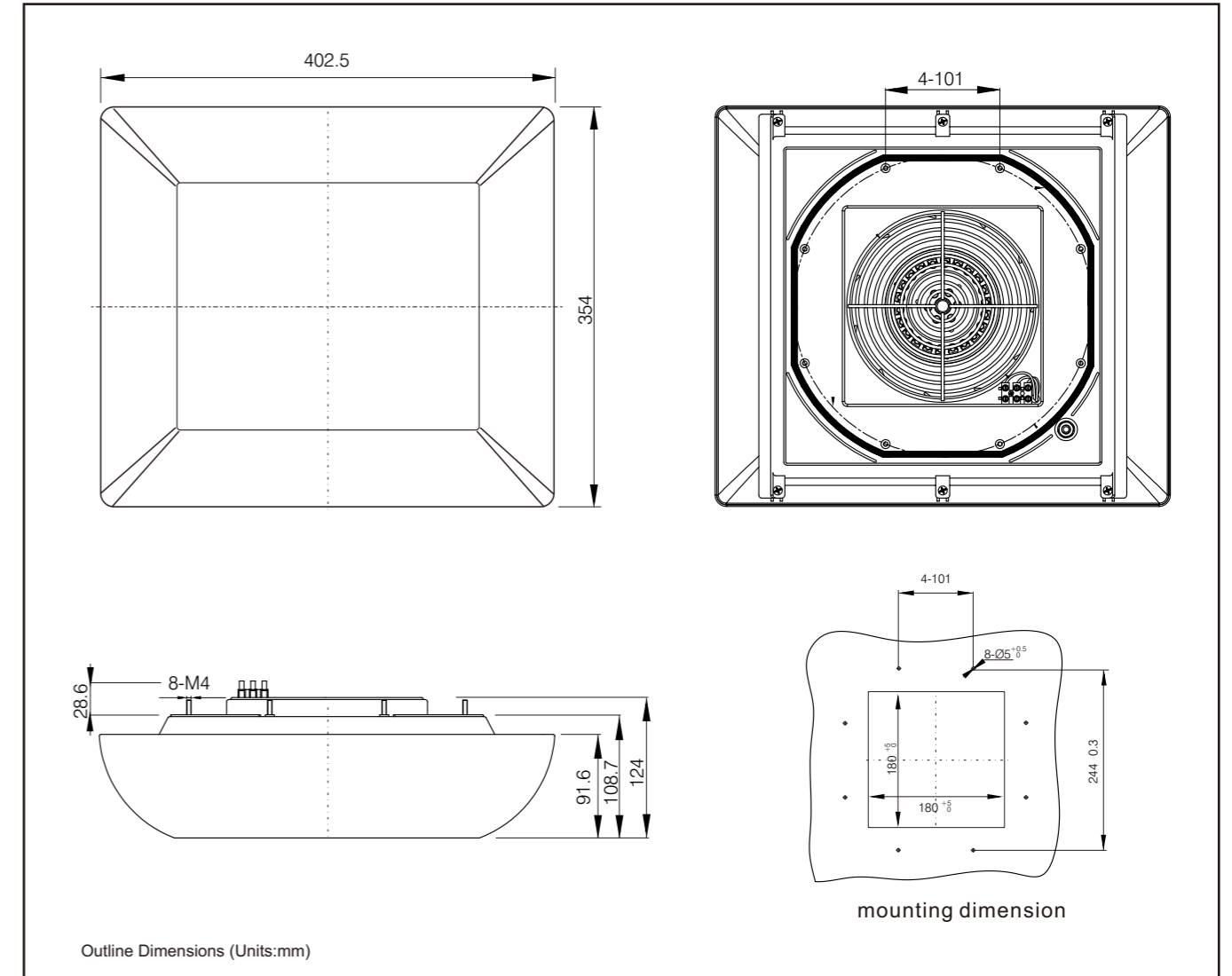
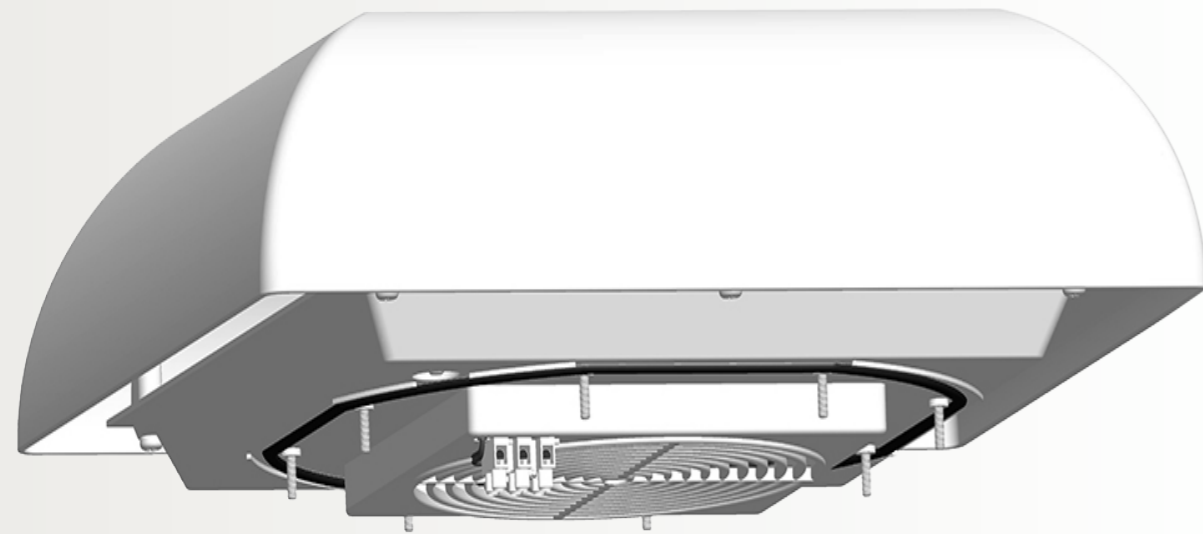


- A installation: No need of screw, snap-in installation
- B Power connection: Terminal connection
- C With seal ring
- D Maximum weight: 3.74kg



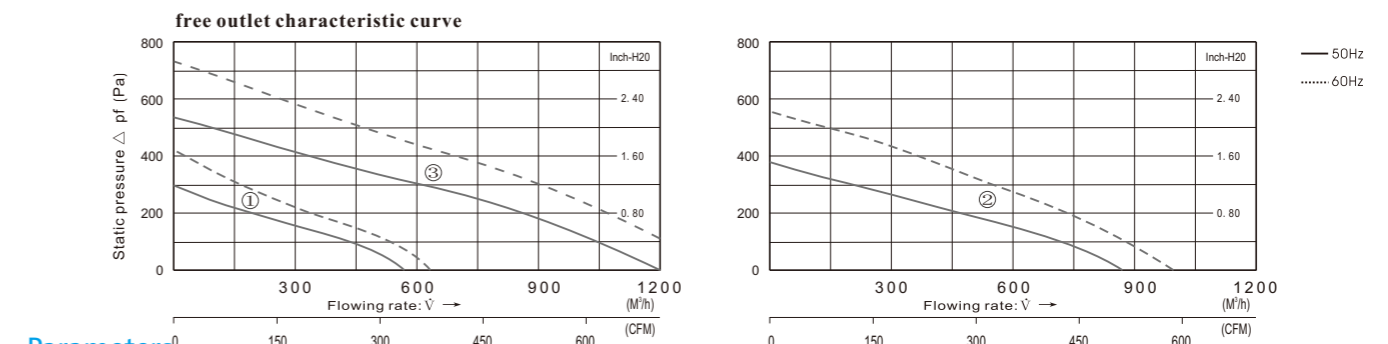
**Parameters**

Type	Fan Model	Rated Voltage	Speed	Frequency	current	Power	Max Air Flow	Static Pressure	Noise Curve	external dimensions (mm)
		V	V	Hz	(A)	(W) <sub>10% 20%</sub>	m3/h	(Pa)	(dB)	
FJK6626DM115	FJ28081MAB	115 AC	75...125	50	1.10	110	1395	95	63	① 324x324x145
				60	1.20	136	1530	105	65	
FJK6626DM230	FJ28082MAB	230 AC	150...250	50	0.48	105	1395	95	63	
				60	0.62	140	1530	105	65	
FJK6626DM380	FJ28083MAB	380 AC	220...415	50	0.29	115	1395	95	63	
				60	0.39	150	1530	105	65	



- Ⓐ installation: Screw-fix installation
- Ⓑ Power connection: wire connection
- Ⓒ Maximum weight: 4.2kg

- Ⓐ
- Ⓑ
- Ⓒ 4.2kg



Parameters

Type	Fan Model	Rated Voltage	Speed	Frequency	current	Power	Max Air Flow	Static Pressure	Noise Curve	external dimensions
		V	V	Hz	(A)	(W) <sub>10% 20%</sub>	m3/h	(Pa)	(dB)	(mm)
FJK190PBD-230	C2E-190.45A	230 AC	150...250	50	0.28	60	570	300	59	402x354x124
				60	0.31	71	620	420	61	
FJK220PBD-230	C2E-220.44B	230 AC	150...250	50	0.46	98	860	380	67	
				60	0.51	118	980	550	70	
FJK225PBD-230	C2E-225.63C	230 AC	150...250	50	0.60	131	1200	540	68	
				60	0.74	170	1340	730	71	

Characteristics:

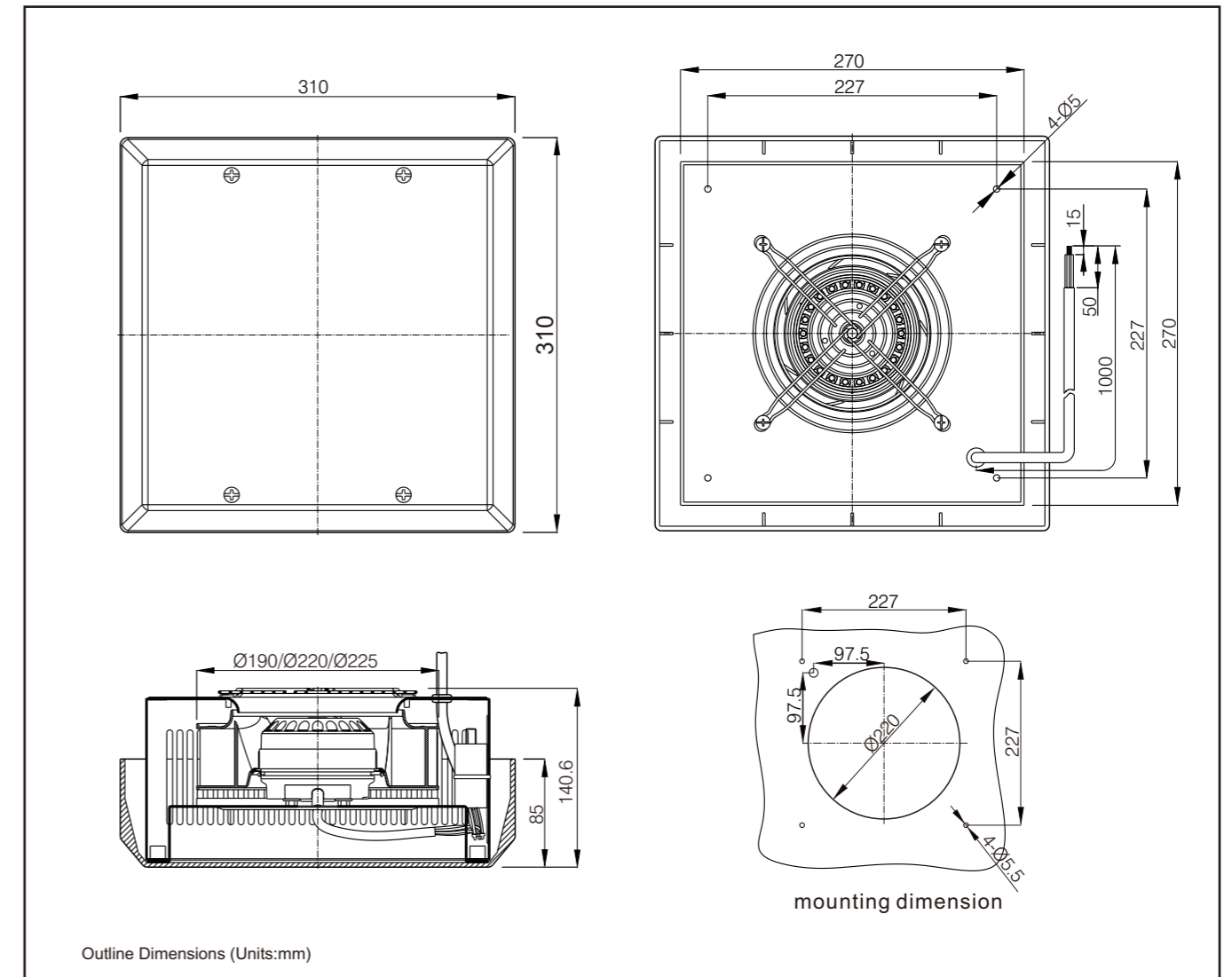
- ① The fan is made of metal support, built-in centrifugal fan and ABS plastic cover. It is widely applied to electrical products and cabinets. ① ABS
- ② Centrifugal top ventilator can exhaust heat load with high efficiency. ②
- ③ It can work under electromagnetic environment, meanwhile, it won't interfere the system or equipment where it installed. ③
- ④ Running temperature/humidity: (unconcretionary) ④ / -30 ~ +80  
Temperature: -30°C ~ +80°C Humidity: 0% ~ 95%
- ⑤ RAL 7035 grey is the standard color, can be changed to RAL 7032. ⑤ RAL7035 RAL7032
- ⑥ Protection class: E N 60 5 29 I P 33 / IP54 (not suitable for outdoor equipment). ⑥ E N 60 5 29 I P 33 IP 5 4



**Characteristics:**

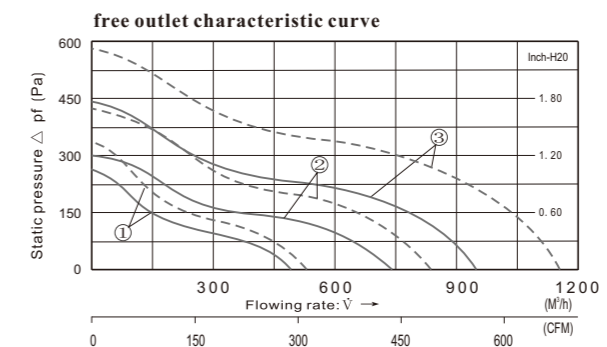
- ① The fan is made of metal support, built-in centrifugal fan and ABS plastic cover. It is widely applied to electrical products and cabinets.
- ② Centrifugal top ventilator can exhaust heat load with high efficiency.
- ③ It can work under electromagnetic environment, meanwhile, it won't interfere the system or equipment where it installed.
- ④ Running temperature/humidity: (unconcretionary)  
Temperature: -30°C ~ +80°C Humidity: 0% ~ 95%
- ⑤ RAL 7035 grey is the standard color, can be changed to RAL 7032.
- ⑥ Protection class: E N 60 5 29 I P 33 / IP54 (not suitable for outdoor equipment).

①	ABS	
②		
③		
④	/	-30 ~ +80
⑤	RAL7035	RAL7032
⑥	E N 60 5 29 I P 33	IP 5 4



- Ⓐ installation: Screw-fix installation
- Ⓑ Power connection: wire connection
- Ⓒ Maximum weight: 4.56kg

- Ⓐ
- Ⓑ
- Ⓒ 4.56kg



**Parameters**

Type	Fan Model	Rated Voltage	Speed	Frequency	current	Power	Max Air Flow	Static Pressure	Noise	Curve	external dimensions
		V	V	Hz	(A)	(W) <sub>10% 20%</sub>	m3/h	(Pa)	(dB)		(mm)
FJK190PB-230	C2E-190.45A	230 AC	150...250	50	0.26	58	484	265	57	①	310x310x140
				60	0.33	74	527	335	59		
FJK220PB-230	C2E-220.44B	230 AC	150...250	50	0.46	98	730	300	60	②	
				60	0.51	118	830	440	62		
FJK225PB-230	C2E-225.63C	230 AC	150...250	50	0.60	131	1020	430	62	③	
				60	0.74	170	1140	585	64		



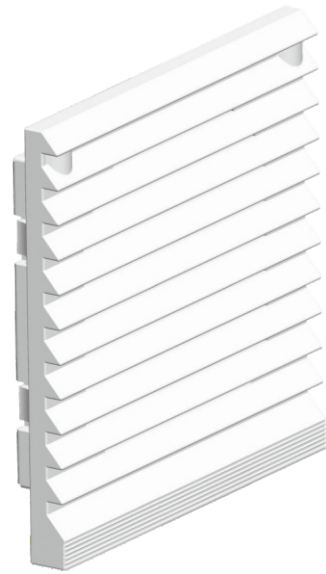
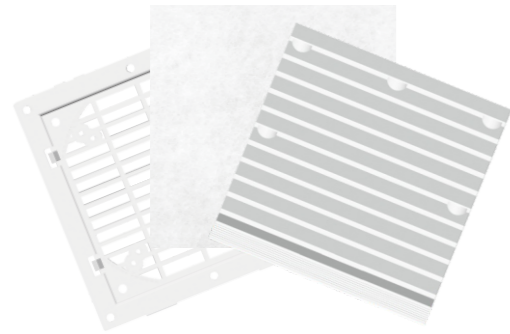
# Exhaust filter series

Optional parts

## Characteristics

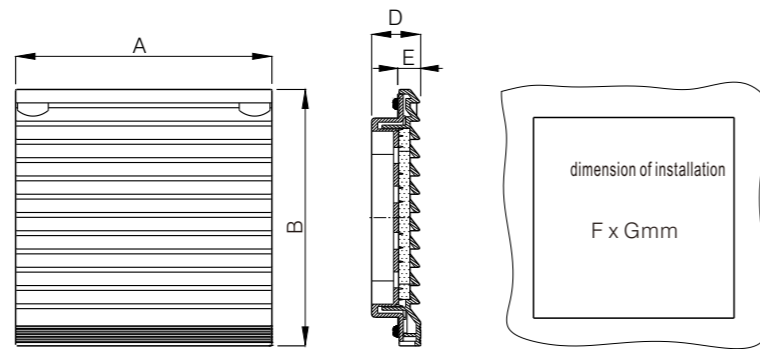
- Frame material uses anti-flame and heat resisting ABS plastic, of which fire resistance are accord with UL-94 Vo standard.
- Installation without screws are accord with standard of VDE 0113(EN 60204)
- Optional equips polyester fiber filter pad of 100g/ .150g/ .350g/ , built-in standard is 150g/ .Standard max static pressure 86Pa 62Pa max relative humidity 90%.
- Temperature range : (unconcretionary) -20 ~ +65 (store temperature) -20 ~ +70

- ABS UL-94 Vo
- VDE 0113(EN 60204)
- 100g/m2. 150g/m2. 350g/m2. 150g/m2
- 86Pa 62Pa 90%
- -20 ~+65 -20 ~+70



## Outline Dimensions

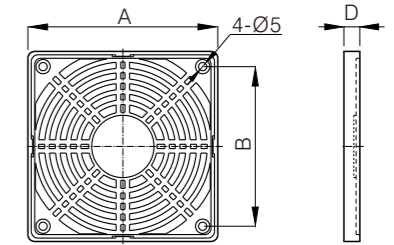
Units: mm



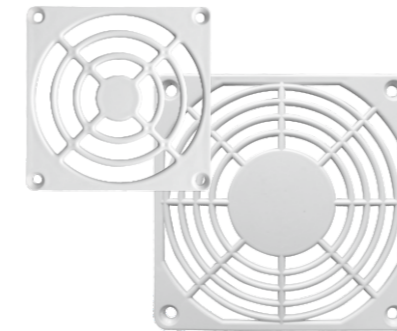
Type	External dimensions				Opening size		IP	Filter pat		Related Info page
	A	B	D	E	F	G		level	Size	
RAL 7035										
JK 6620	106.5	106.5	22	10	82.5	82.5	54	G2	75x75	91/92
JK 6621	116.5	116.5	22	10	93	93	54	G2	85x85	93/94
JK 6622	148.5	148.5	27.5	10	122.5	122.5	54	G2	115x115	95/96
JK 6623	204.5	204.5	30	13.5	176	176	54	G2	170x170	97/98
JK 6625	255	255	30.5	13.5	222	222	54	G2	215x215	99/100
JK 6626	324	324	30.5	13.5	290	290	54	G2	285x285	101/102
JK 6626D	324	324	30.5	13.5	290	290	54	G2	288x288	103/104



Ventilation shutter  
Built-in black filter sponge  
Finger guard for axial fan

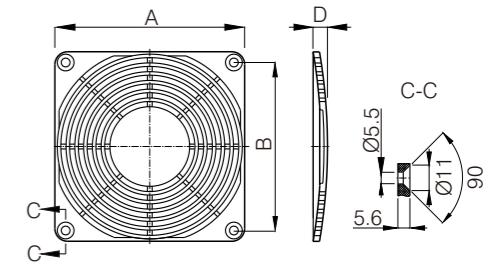


Type	External dimensions		
	A	B	D
LP 4008	8.6	71.5	10
LP 4009	9.6	82	10
LP 4012	115	104.8	10.5

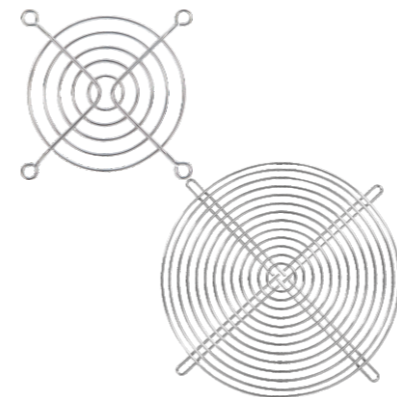


ABS plastic guard  
Color RAL 7035

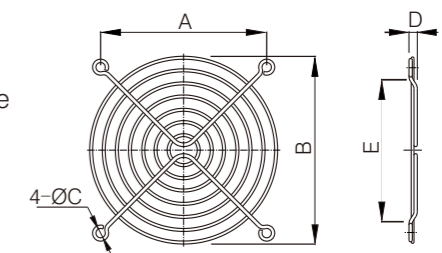
ABS  
RAL 7035



Type	External dimensions		
	A	B	D
LP 4208	80	71.5	7
LP 4209	92	82	7
LP 4212	120	104.8	6.5



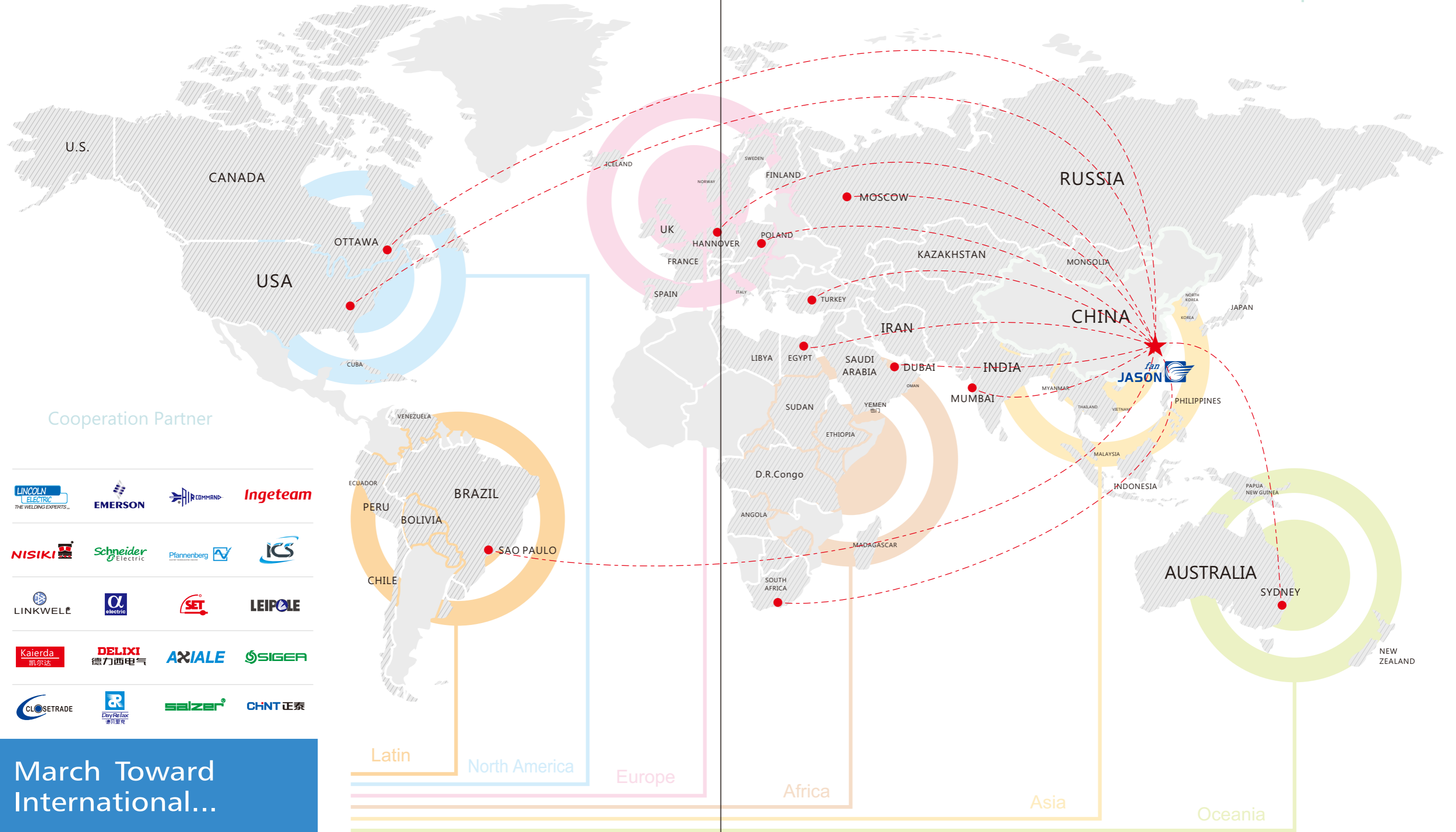
Metal guard  
Surface nickel plating  
Better corrosion resistance



Type	External dimensions				
	A	B	C	D	E
LP 2204	32	29.5	4.5	4.5	35
LP 2206	50	53	5	5	57
LP 2208	71.5	73	5.3	5	85
LP 2209	82	87	5.3	5.4	102
LP 2212	104.8	115.5	5.5	5.4	133
LP 2215	114.5	140	5.5	5.4	152
LP 2222	170	215.5	5.5	9.5	209
LP 2225	208.6	268	6.6	11.5	257



# Global Business Operation



March Toward International...

### CERTIFICATE OF COMPLIANCE

**Certificate Number** 20180627-E476782  
**Report Reference** E476782-20180626  
**Issue Date** 2018-JUNE-27

**Issued to:** Wenzhou Jason Fan Manufacturer Co Ltd  
NO. 98 Xinhu Road, Yuechen Street  
Yueqing, Zhejiang 325600 CHINA

**This is to certify that representative samples of** COMPONENT- FANS, ELECTRIC  
Refer to Addendum Page for Models/Product

Have been investigated by UL in accordance with the Standard(s) indicated on this Certificate.

**Standard(s) for Safety:** UL 507, ELECTRICFANS;  
CSA C22.2 No. 113-15, FANS AND VENTILATORS

**Additional Information:** See the UL Online Certifications Directory at [www.ul.com/database](http://www.ul.com/database) for additional information

Only those products bearing the UL Certification Mark should be considered as being covered by UL's Certification and Follow-Up Service.

The UL Recognized Component Mark generally consists of the manufacturer's identification and catalog number, model number or other product designation as specified under "Marking" for the particular Recognition as published in the appropriate UL Directory. As a supplementary means of identifying products that have been produced under UL's Component Recognition Program, UL's Recognized Component Mark may be used in conjunction with the required Recognized Marks. The Recognized Component Mark is required when specified in the UL Directory preceding the recognitions or under "Markings" for the individual recognitions.

Recognized components are incomplete in certain constructional features or restricted in performance capabilities and are intended for use as components of complete equipment submitted for investigation rather than for direct separate installation in the field. The final acceptance of the component is dependent upon its installation and use in complete equipment submitted to UL LLC.

Look for the UL Certification Mark on the product.

**Bureau**  
Bruce Mahabadi, Director North American Certification Program  
UL LLC  
Any information and documentation involving UL Mark services are provided on behalf of UL LLC (UL) or any authorized licensee of UL. For questions, please contact a local UL Customer Service Representative at [ul.com/customer-service](http://ul.com/customer-service)

Page 1 of 2

### CERTIFICATE OF COMPLIANCE

**Certificate Number** 20180627-E476782  
**Report Reference** E476782-20180626  
**Issue Date** 2018-JUNE-27

This is to certify that representative samples of the product as specified on this certificate were tested according to the current UL requirements.

AC Component Fans, Models:  
FJ22082MAB\*, FJ28082MAB\*, C2S-190.45P\*, C2E-190.45P\*, C2S-220.44P\*, C2E-220.44P\*, C2S-225.63P\*, C2E-225.63P\*, C2S-250.48P\*, C2E-250.48P\*

\* may be L, D, T

**Bureau**  
Bruce Mahabadi, Director North American Certification Program  
UL LLC  
Any information and documentation involving UL Mark services are provided on behalf of UL LLC (UL) or any authorized licensee of UL. For questions, please contact a local UL Customer Service Representative at [ul.com/customer-service](http://ul.com/customer-service)

### 质量管理体系认证证书

证书编号: 00118Q33378R4M/3302

兹证明  
温州杰晟风扇制造有限公司  
统一社会信用代码: 91330302756890355

中国浙江省乐清市乐成镇兴湖路98号

建立的质量管理体系符合标准:  
GB/T 19001-2016 / ISO 9001:2015

通过认证范围如下:  
轴流风机(叶轮直径≤Φ300mm)及离心风机(叶轮直径≤Φ500mm)的设计、生产

首次发证日期: 2006年5月19日 本次发证日期: 2018年4月16日 有效期至: 2021年4月20日

在一个监督周期内, 本证书必须与CNAS颁发的监督审核合格通知书一并使用方为有效, 查询证书有效状态请登陆 [www.cqcc.com.cn](http://www.cqcc.com.cn)  
本证书信息可在国家认证认可监督管理委员会官方网站 ([www.cca.gov.cn](http://www.cca.gov.cn)) 上查询

IAF CNAS 中国认证认可监督管理委员会  
IETAS 中国合格评定国家认可委员会  
SIGNED BY: 王浩

中国质量认证中心  
中国·北京·南四环西路188号9区 100070  
<http://www.cqcc.com.cn>

Q 0092014 2015年版

### CERTIFICATE OF CONFORMITY

SAPO CERTIFICATION & TESTING LABORATORY

APPLICANT: WENZHOU JASON FAN MANUFACTURER CO., LTD.  
ADDRESS: NO. 98 XINHU ROAD, YUECHEN STREET, YUEQING, ZHEJIANG, CHINA.

Product Description: CENTRIFUGAL FAN

Model / Parameters: FJ22082MAB, FJ28082MAB, C2S-190.45P, C2E-190.45P, C2S-220.44P, C2E-220.44P, C2S-225.63P, C2E-225.63P, C2S-250.48P, C2E-250.48P

Conforms with the requirements of the European Community Directive (2006/95/EC). The submitted products have been tested by us with the listed standards and found in compliance with the following European Standard:

EN 60335-1:2009+A11:2014, EN 60335-2-2009+A2:2009

This certificate of conformity is based on an evaluation of a sample of the above mentioned product. Technical Report and documentation as at the licensee applicant's disposal. This certificate does not imply assessment of the entire production of the product. The CE marking as shown below can be affixed on the product after preparation of necessary technical documentation.

SAPO CERTIFICATION & TESTING LABORATORY LIMITED  
THE CERTIFICATION IS ONLY VALID WITH THE TEST REPORT TECHNICAL DOCUMENTATION FILE  
Internet site: [www.sapo.org.uk](http://www.sapo.org.uk) E-mail: [sapo@apo.org.uk](mailto:sapo@apo.org.uk)

### CERTIFICATE OF CONFORMITY

SAPO CERTIFICATION & TESTING LABORATORY

APPLICANT: WENZHOU JASON FAN MANUFACTURER CO., LTD.  
ADDRESS: NO. 98 XINHU ROAD, YUECHEN STREET, YUEQING, ZHEJIANG, CHINA.

Product Description: CENTRIFUGAL FAN

Model / Parameters: FJ22082MAB, FJ28082MAB, C2S-190.45P, C2E-190.45P, C2S-220.44P, C2E-220.44P, C2S-225.63P, C2E-225.63P, C2S-250.48P, C2E-250.48P

Conforms with the requirements of the European Community Directive (2006/95/EC). The submitted products have been tested by us with the listed standards and found in compliance with the following European Standard:

EN 50514-1:2006+A1:2009+A2:2011, EN 50514-2:1997+A1:2003+A2:2006, EN 61000-3-2:2014, EN 61000-3-3:2013

This certificate of conformity is based on an evaluation of a sample of the above mentioned product. Technical Report and documentation as at the licensee applicant's disposal. This certificate does not imply assessment of the entire production of the product. The CE marking as shown below can be affixed on the product after preparation of necessary technical documentation.

SAPO CERTIFICATION & TESTING LABORATORY LIMITED  
THE CERTIFICATION IS ONLY VALID WITH THE TEST REPORT TECHNICAL DOCUMENTATION FILE  
Internet site: [www.sapo.org.uk](http://www.sapo.org.uk) E-mail: [sapo@apo.org.uk](mailto:sapo@apo.org.uk)

### 中国国家强制性产品认证证书

证书编号: 2012010401522353

共 1 页, 第 1 页  
版号: 1609951

序号	额定电压	额定功率	输入功率	输出	效率	工作制	绝缘等级
1	AC220V-AB	115W	50/60Hz	20W/15W	100%/100%	2P	S1 B
2	AC220V-AB	230W	50/60Hz	20W/15W	100%/100%	2P	S1 B
3	AC220V-AB	380W	50/60Hz	20W/15W	100%/100%	2P	S1 B
4	AC220V-AB	115W	50/60Hz	60W/35W	200%/150%	2P	S1 B
5	AC220V-AB	230W	50/60Hz	60W/35W	200%/150%	2P	S1 B
6	AC220V-AB	380W	50/60Hz	60W/35W	200%/150%	2P	S1 B

代表电机设计序号, 用 2 位数字表示

此附录与证书同时使用才有效。

主任: 王浩  
中国质量认证中心  
中国·北京·南四环西路188号9区 100070  
<http://www.cqcc.com.cn>

### 发明专利证书

证书号 第 20150001 号

发明名称: 风扇智能自动调速机

发明人: 郑林森; 丁云林

专利号: ZL 2014 2 073517.5

申请日: 2014年11月28日

授权公告日: 2015年04月22日

专利权人: 温州杰晟风扇制造有限公司

专利权期限: 自申请日起二十年

专利代理机构: 温州杰晟风扇制造有限公司

局长: 申长雨

### 实用新型专利证书

证书号 第 20150001 号

实用新型名称: 一种升降式风扇

发明人: 郑林森; 丁云林

专利号: ZL 2014 2 073517.5

申请日: 2014年11月28日

授权公告日: 2015年04月22日

专利权人: 温州杰晟风扇制造有限公司

专利权期限: 自申请日起十年

专利代理机构: 温州杰晟风扇制造有限公司

局长: 申长雨

### 实用新型专利证书

证书号 第 20150001 号

实用新型名称: 一种升降式风扇

发明人: 郑林森; 丁云林

专利号: ZL 2014 2 073517.5

申请日: 2014年11月28日

授权公告日: 2015年04月22日

专利权人: 温州杰晟风扇制造有限公司

专利权期限: 自申请日起十年

专利代理机构: 温州杰晟风扇制造有限公司

局长: 申长雨